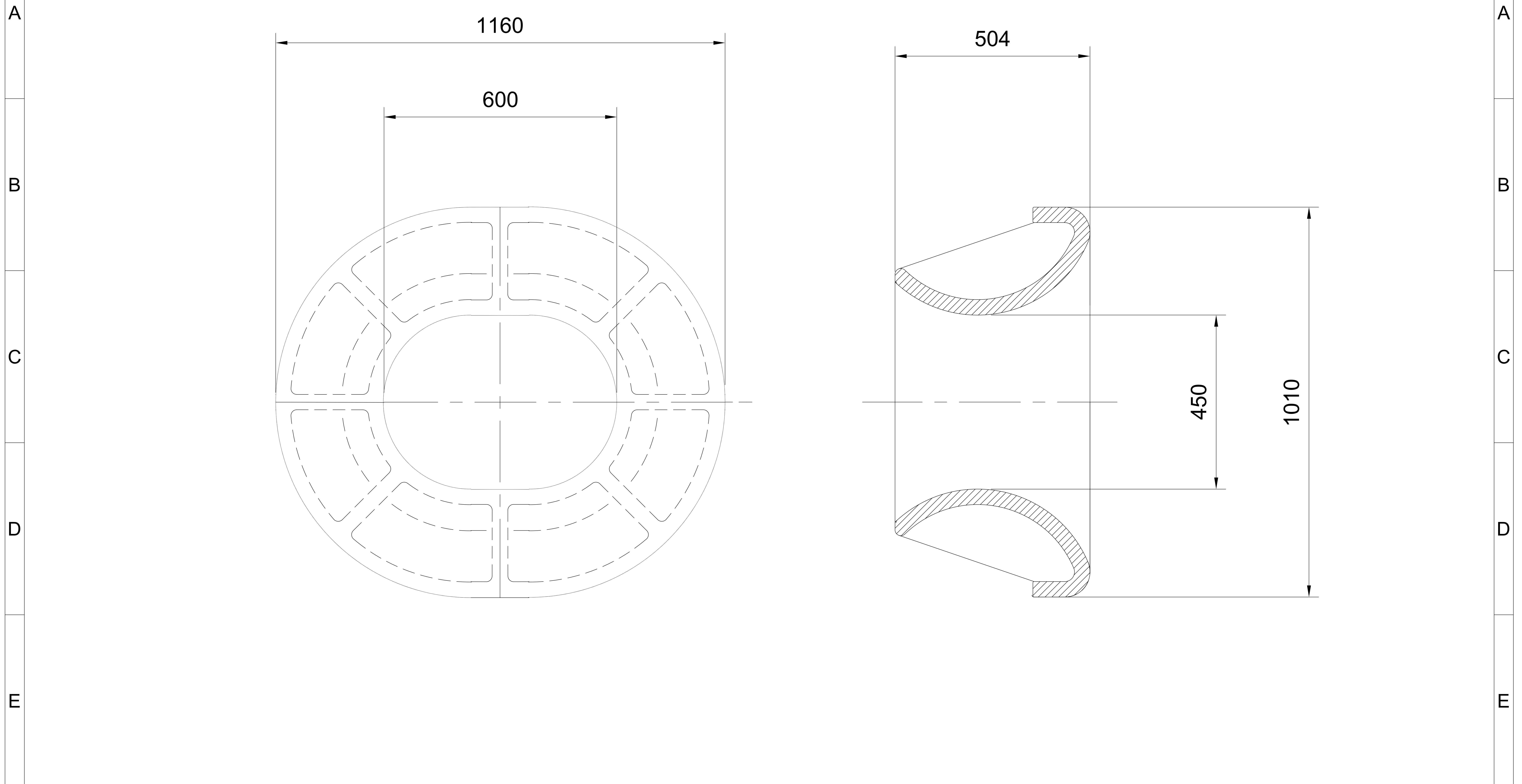


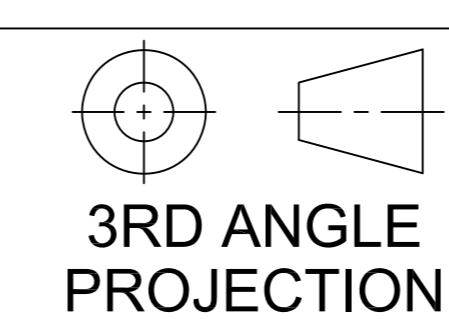


ISS	DATE	DRAWN	CHECKED	Rel. No.	DETAILS OF CHANGE
1	26/01/16	JS	CE	-	INITIAL ISSUE FROM 40666

IF IN DOUBT ASK. DO NOT SCALE THIS DRAWING.



F		MATERIAL	SEE DRAWING	  3RD ANGLE PROJECTION	SCALE	N.T.S	ALL DIMS IN MILLIMETRES UNLESS OTHERWISE STATED		
		FINISH	SEE DRAWING		DATE	26/01/16	DCP 600x450-8-RIB 204 T. S.W.L. PANAMA CHOCK BOW MOUNTED - SALES DRAWING		
	THIS DRAWING MAY CALL FOR THE USE OF PROCEDURES THAT MAY BE INJURIOUS TO HEALTH IF ADEQUATE PRECAUTIONS ARE NOT TAKEN. IT REFERS ONLY TO TECHNICAL SUITABILITY AND DOES NOT ABSOLVE THE USER FROM LEGAL OBLIGATIONS RELATING TO HEALTH AND SAFETY AT ANY STAGE				DRAWN BY	JS			
					CHECKED BY	CE	REMOVE BURRS AND SHARP EDGES.		1 OF 1
ENTERPRISE HOUSE HARVEYS LANE SEETHING NORFOLK NR15 1EN ENGLAND TEL +44 1508 482691 FAX +44 1508 482710 EMAIL: sales@fendercare.com				COPYRIGHT FENDERCARE LIMITED DO NOT PASS TO A THIRD PARTY					