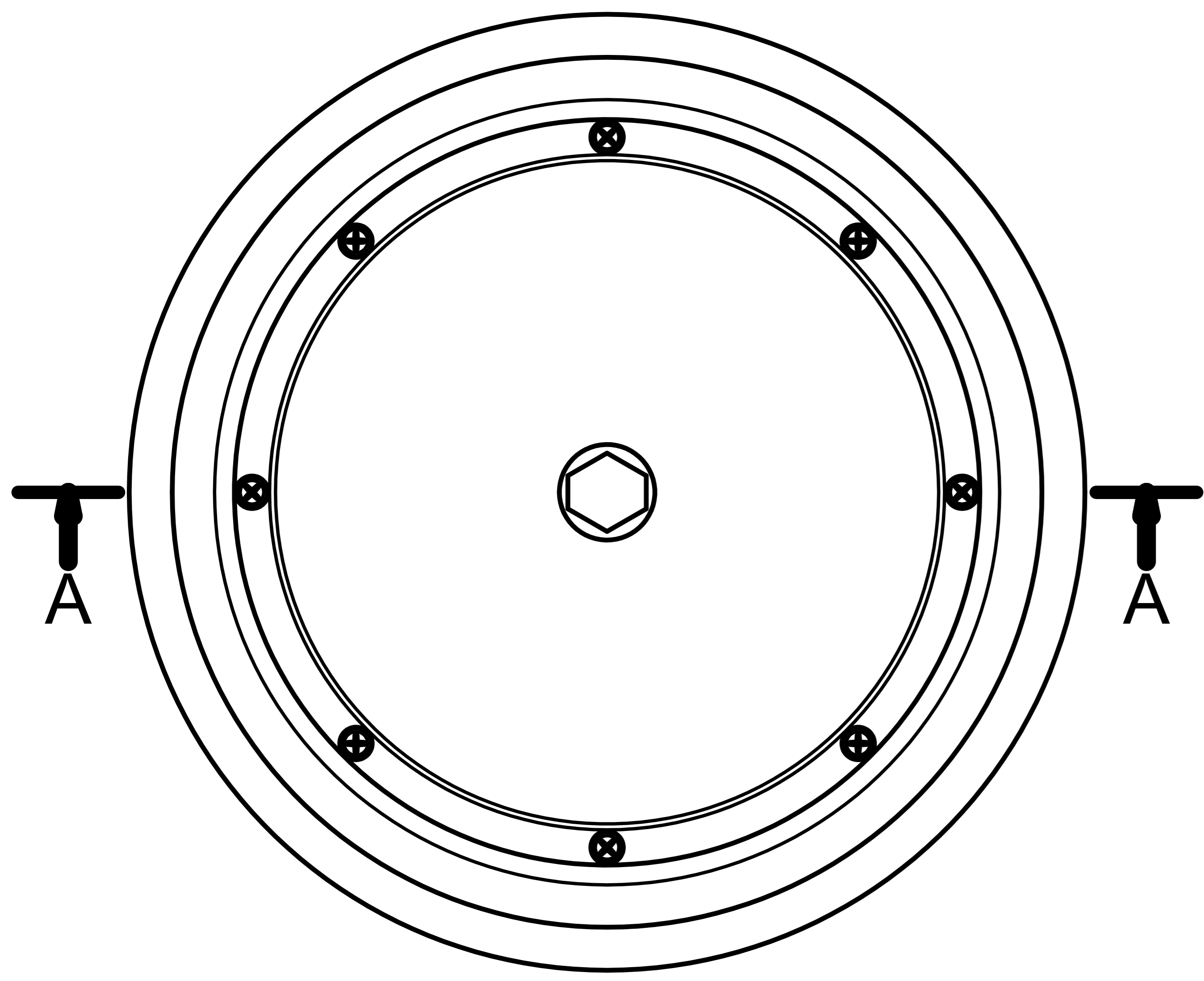
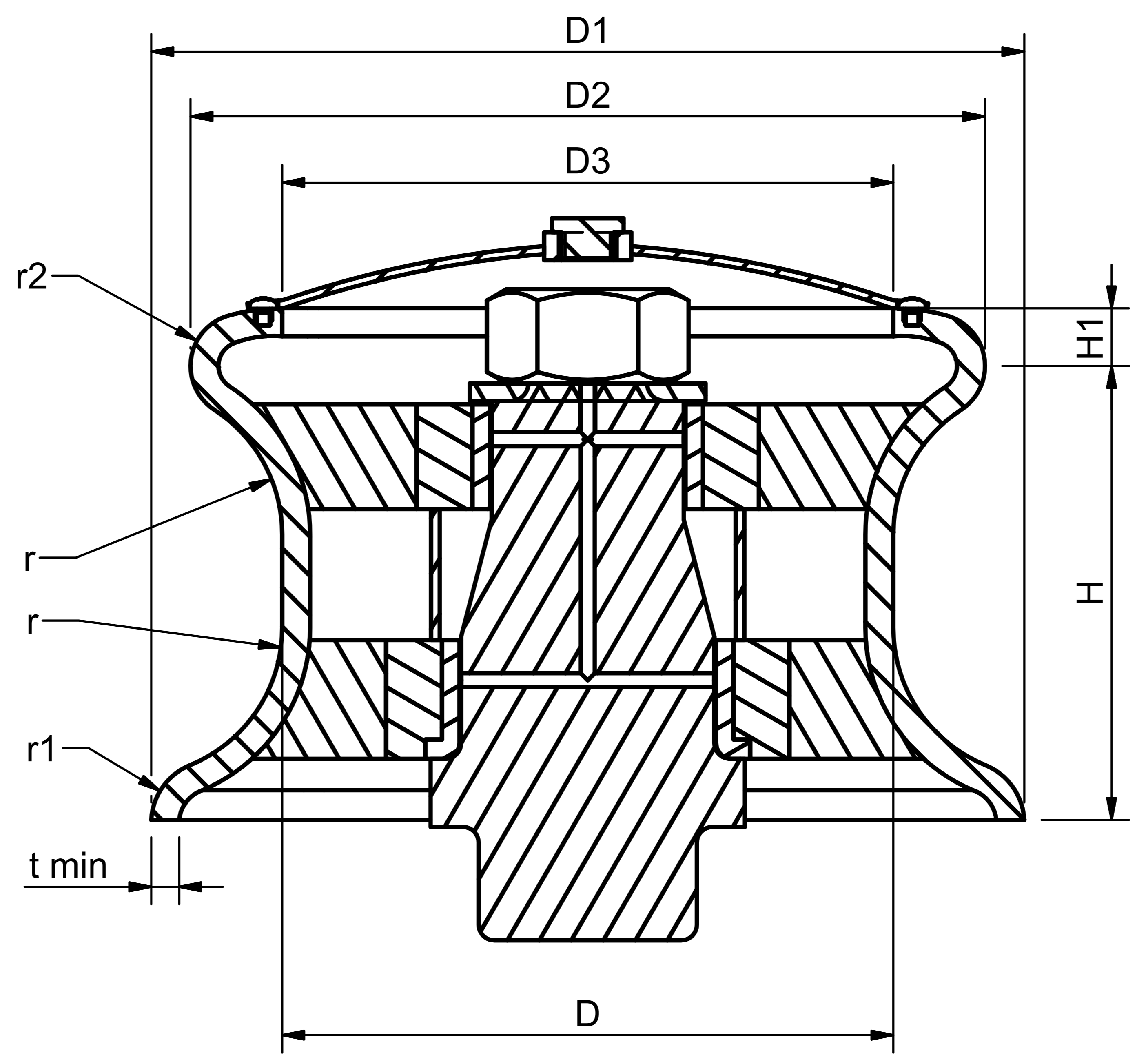


REV	DATE	DRAWN	CHECKED	REL No.	DESCRIPTION
1	19/04/2017	HM	AS	-	INITIAL ISSUE

AUX VIEW  
NOT TO SCALE



A-A



UNLESS OTHERWISE SPECIFIED  
DIMENSIONS ARE IN MM

FRACT	DECIMALS	ANGLES
$\frac{1}{32}$	X. ±2	.XX ±0.10

COPYRIGHT FENDERCARE LIMITED  
DIMENSIONS AND TOLERANCES PER ISO 8015:2011  
REMOVE BURRS AND SHARP EDGES  
ALL DIMS IN MILLIMETRES UNLESS OTHERWISE STATED  
DO NOT SCALE DRAWING DO NOT PASS TO A THIRD PARTY

THIS DRAWING MAY CALL FOR THE USE OF  
PROCEDURES THAT MAY BE INJURIOUS TO HEALTH IF  
ADEQUATE PRECAUTIONS ARE NOT TAKEN. IT REFERS  
ONLY TO TECHNICAL SUITABILITY AND DOES NOT  
ABSOLVE THE USER FROM LEGAL OBLIGATIONS  
RELATING TO HEALTH AND SAFETY AT ANY STAGE



ENTERPRISE HOUSE HARVEYS LANE  
SEETHING NORFOLK NR15 1EN ENGLAND  
TEL +441508 483705 FAX +441508 482710  
EMAIL: sales@fendercare.com

MATERIAL:	N/A		
FINISH:	N/A		
ESTIMATED MASS:	N/A		
DRAWN:	HM	SCALE:	1:5
CHECKED:	AS	DATE:	19/04/2017

TITLE:  
**JIS F 2014, VARIOUS TYPE  
ROLLER - SALES DRAWING**

SHEET:	DRAWING No:		
1 OF 1	<b>65452</b>	<b>Issue: 1</b>	A3



JIS F 2014 VARIOUS SIZES										
NOMINAL DIAMETER	D	D1	D2	D3	H	H1	r	r1	r2	t min
150	150	240	220	140	150	20	45	20	17	10
200	200	310	280	190	185	24	55	25	21	10
250	250	380	340	250	220	29	65	28	25	10
300	300	440	400	300	240	30	75	32	28	12
350	350	500	455	350	260	35	85	36	30	16
400	400	560	520	410	280	36	95	40	32	19
450	450	620	580	450	292	46	90	45	45	19