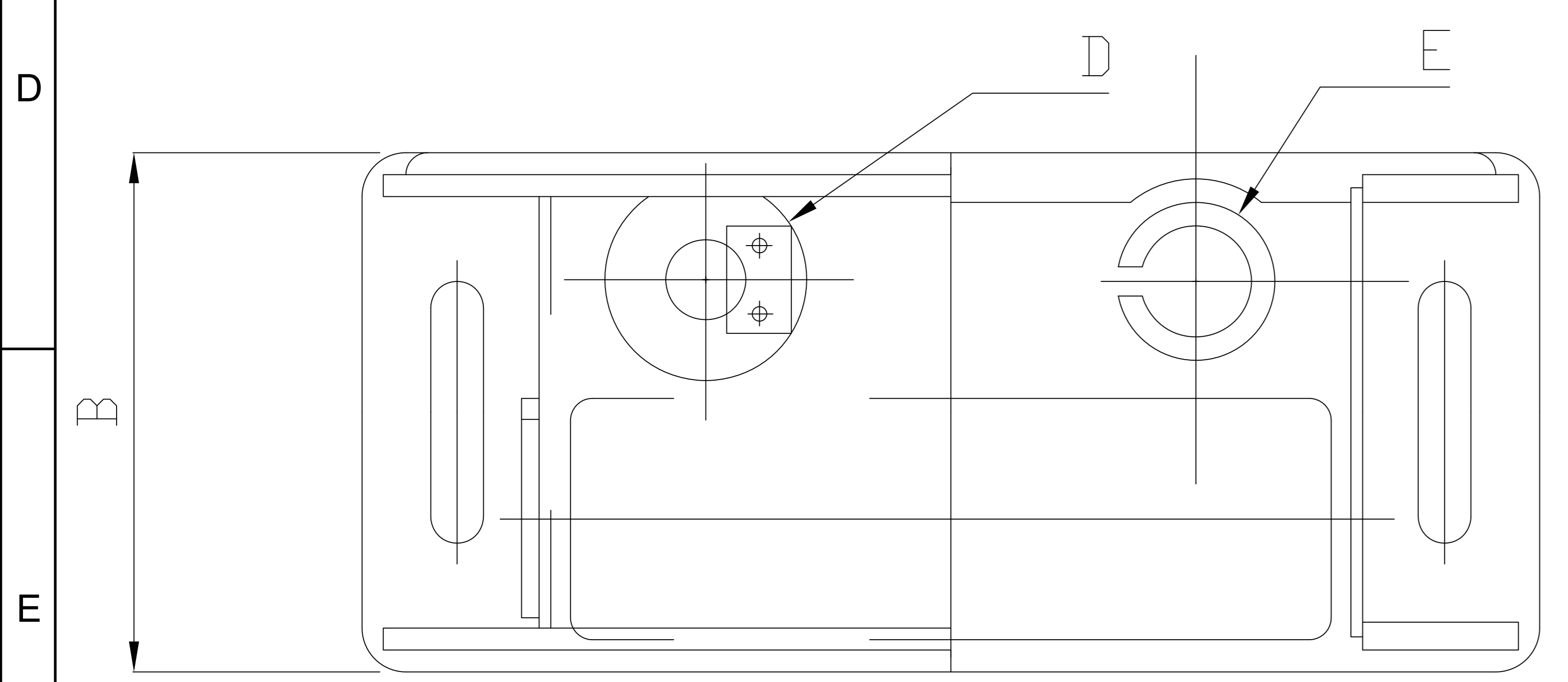
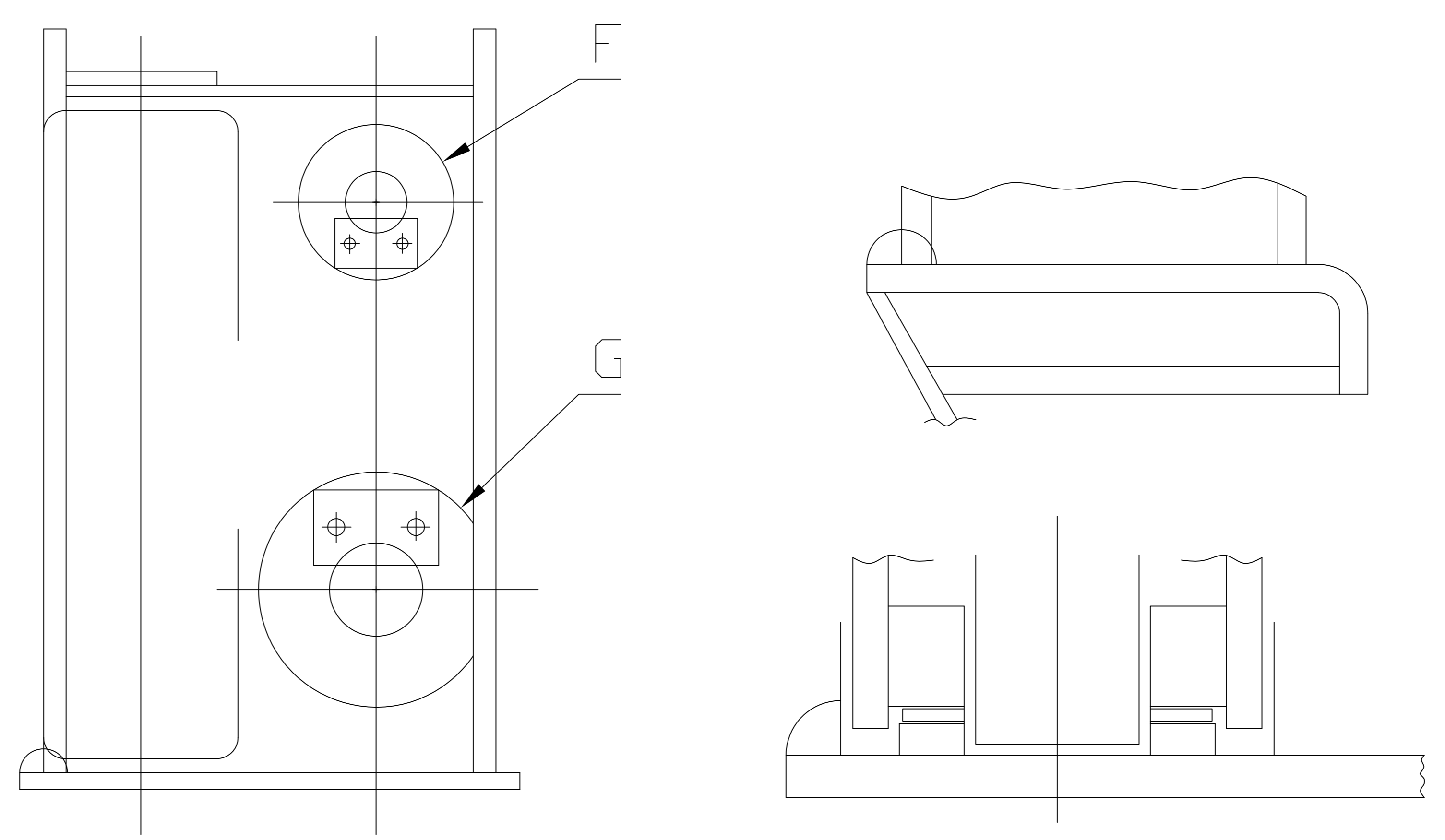
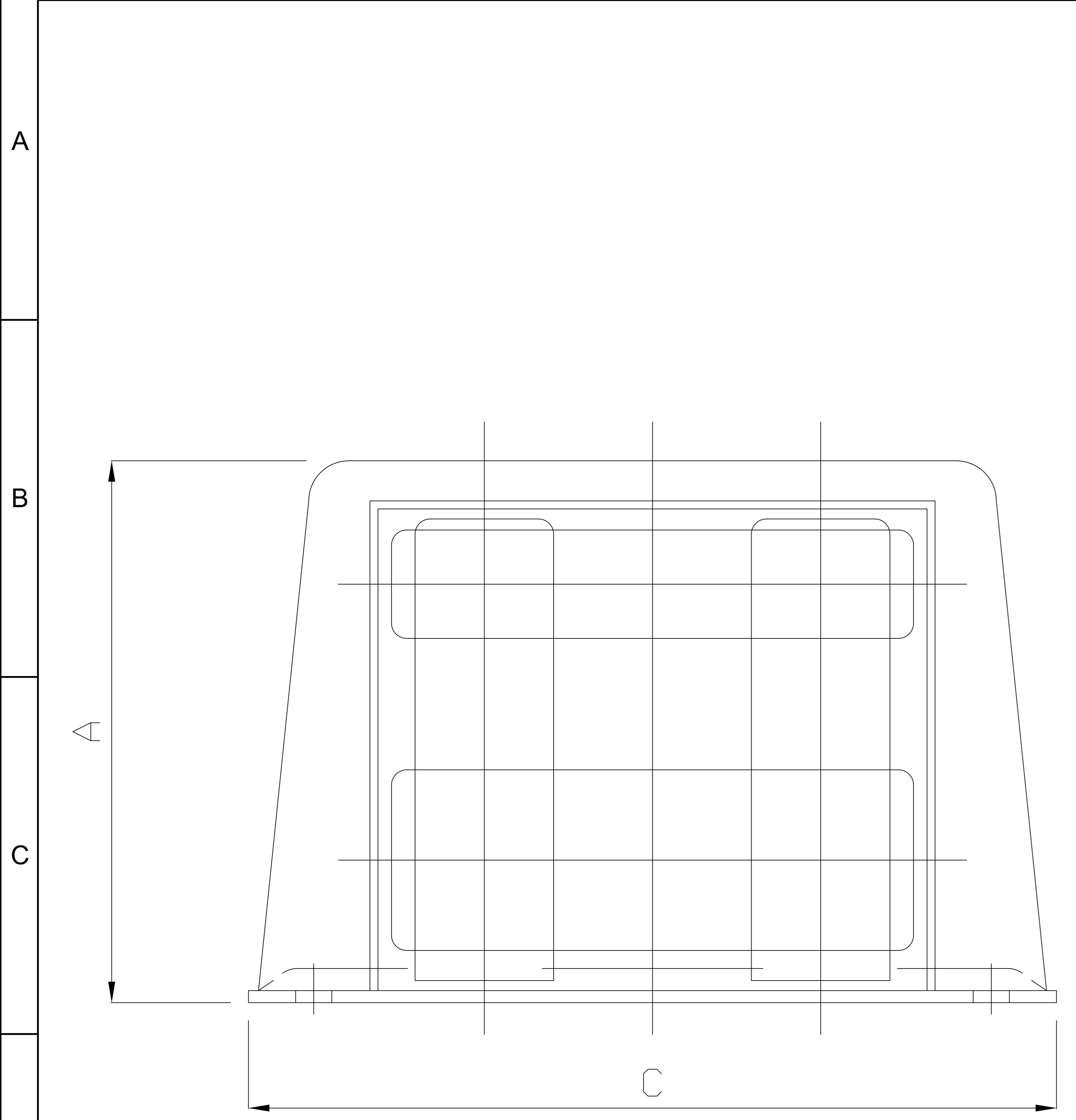


| REV | DATE | DRAWN | CHECK | REL No. | DESCRIPTION |
|-----|------------|-------|-------|---------|---------------------|
| 1 | 05/06/2009 | DJP | - | - | INITIAL ISSUE |
| 2 | 19/04/2017 | HM | AS | - | BORDER UPDATED ONLY |



| TYPE | A | B | C | D | E | F | G |
|------|-----|-----|------|-----|-----|-----|-----|
| 140 | 542 | 355 | 805 | 140 | 90 | 80 | 120 |
| 160 | 584 | 405 | 890 | 160 | 110 | 90 | 140 |
| 180 | 636 | 455 | 960 | 180 | 135 | 100 | 150 |
| 200 | 680 | 505 | 1049 | 200 | 160 | 110 | 160 |
| 250 | 824 | 610 | 1303 | 250 | 200 | 130 | 200 |
| 315 | 998 | 715 | 1562 | 300 | 240 | 160 | 240 |

UNLESS OTHERWISE SPECIFIED
DIMENSIONS ARE IN MM

| FRACT | DECIMALS | | | ANGLES |
|----------------|----------|------|-------|--------|
| $\frac{1}{32}$ | X. | .X | .XX | |
| | ±2 | ±.40 | ±0.10 | ±.2° |

COPYRIGHT FENDERCARE LIMITED
DIMENSIONS AND TOLERANCES PER ISO 8015:2011
REMOVE BURRS AND SHARP EDGES
ALL DIMS IN MILLIMETRES UNLESS OTHERWISE STATED
DO NOT SCALE DRAWING DO NOT PASS TO A THIRD PARTY

THIS DRAWING MAY CALL FOR THE USE OF PROCEDURES THAT MAY BE INJURIOUS TO HEALTH IF ADEQUATE PRECAUTIONS ARE NOT TAKEN. IT REFERS ONLY TO TECHNICAL SUITABILITY AND DOES NOT ABSOLVE THE USER FROM LEGAL OBLIGATIONS RELATING TO HEALTH AND SAFETY AT ANY STAGE

fendercare
marine

ENTERPRISE HOUSE HARVEYS LANE
SEETHING NORFOLK NR15 1EN ENGLAND
TEL +441508 483705 FAX +441508 482710
EMAIL: sales@fendercare.com

| | | | |
|-----------------|-----|--------|------------|
| MATERIAL: | N/A | | |
| FINISH: | N/A | | |
| ESTIMATED MASS: | N/A | | |
| DRAWN: | DJP | SCALE: | NTS |
| CHECKED: | - | DATE: | 05/06/2009 |

TITLE:
**JIS F 2026, TYPE A, 4 ROLLER
MAF. VARIOUS SIZES, SALES
DRAWING**

| | | |
|--------|--------------------------|----|
| SHEET: | DRAWING No: | |
| 1 OF 1 | A3-7668-1Issue: 2 | A3 |

