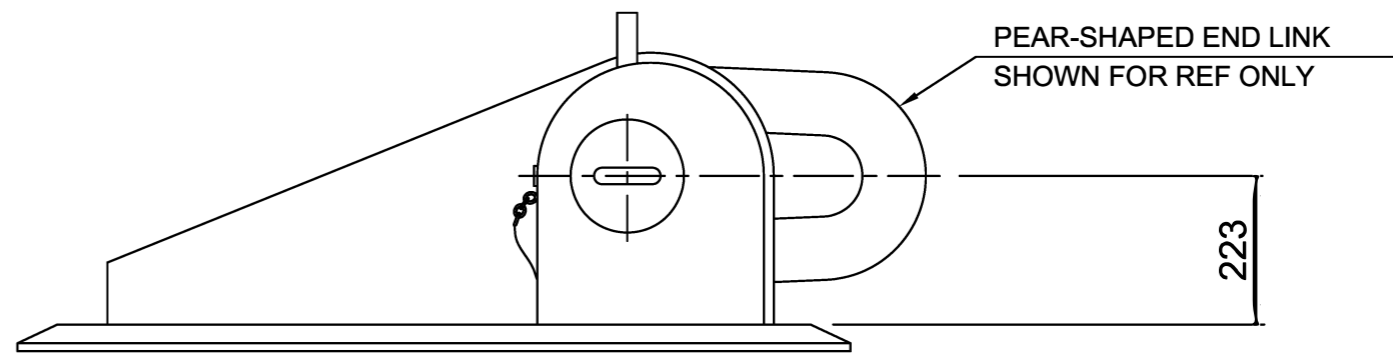
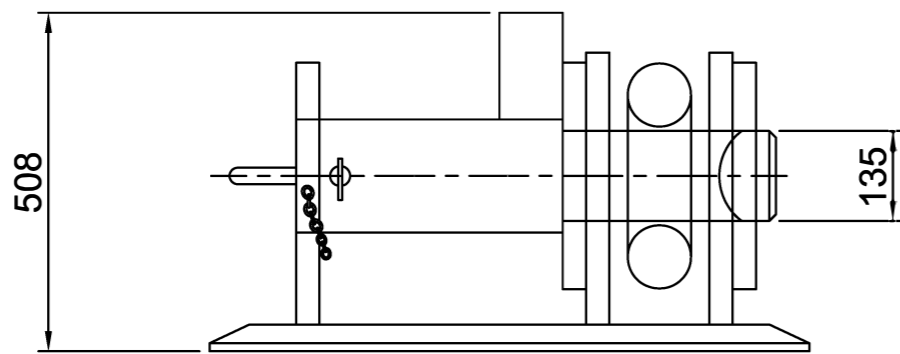


A3 1 2 3 4 5 6 7 8

IF IN DOUBT ASK. DO NOT SCALE THIS DRAWING.

ISS	DATE	DRAWN	CHECKED	Rel. No.	DETAILS OF CHANGE
1	22/01/16	JS	CE	-	INITIAL ISSUE FROM 40659

A

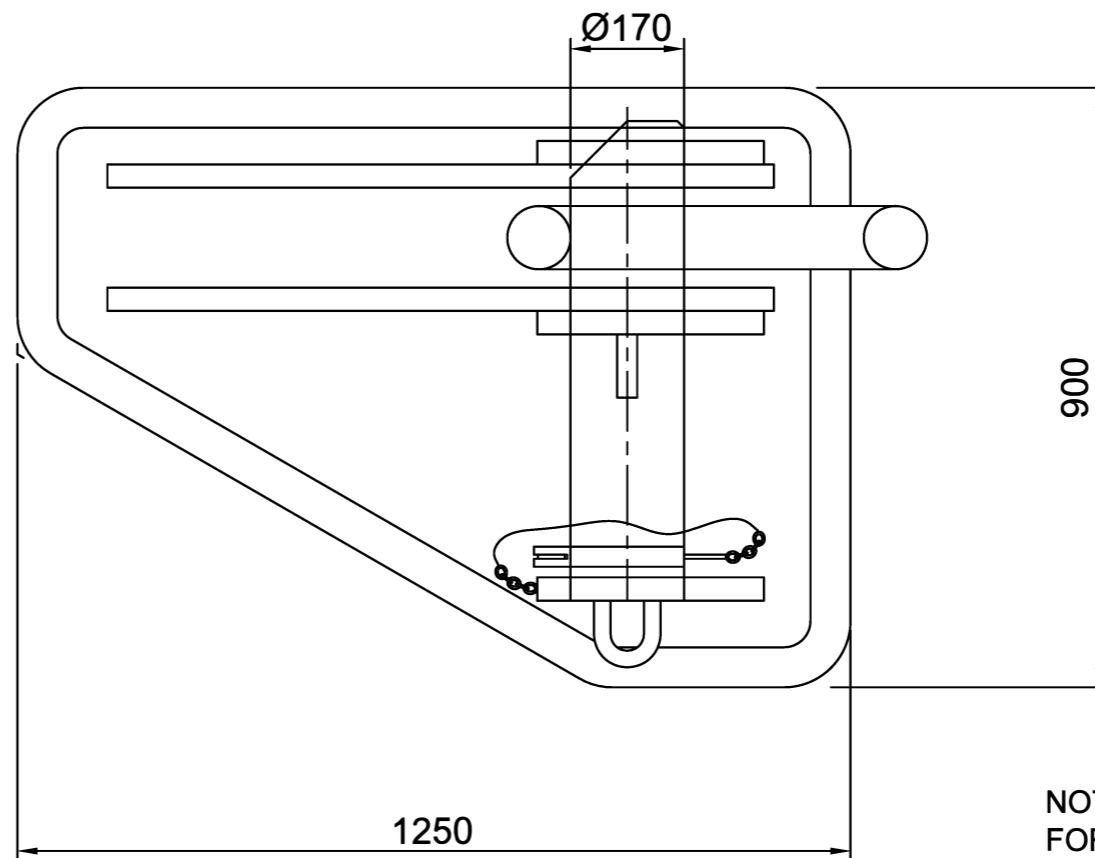


B

A

B

C



C

D

D

E

NOTES:  
FOR USE WITH 76mm CHAIN

E

F

F

**FENDERCARE**  
marine

ENTERPRISE HOUSE HARVEYS LANE  
SEETHING NORFOLK NR15 1EN ENGLAND  
TEL +44 1508 482691 FAX +44 1508 482710  
EMAIL: sales@fendercare.com

MATERIAL SEE DRAWING

FINISH SEE DRAWING

THIS DRAWING MAY CALL FOR THE USE OF PROCEDURES  
THAT MAY BE INJURIOUS TO HEALTH IF ADEQUATE  
PRECAUTIONS ARE NOT TAKEN. IT REFERS ONLY TO  
TECHNICAL SUITABILITY AND DOES NOT ABSOLVE THE  
USER FROM LEGAL OBLIGATIONS RELATING TO HEALTH  
AND SAFETY AT ANY STAGE



SCALE N.T.S

DATE 22/01/16

DRAWN BY JS

CHECKED BY CE

REMOVE BURRS AND  
SHARP EDGES.

ALL DIMS IN MILLIMETRES UNLESS OTHERWISE STATED

**204T S.W.L. SMIT BRACKET**  
**- SALES DRAWING**

SHEET DRAWING No

1 OF 1

**47791**

**Issue: 1**

COPYRIGHT FENDERCARE LIMITED DO NOT PASS TO A THIRD PARTY

1

2

3

4

5

6

7

8