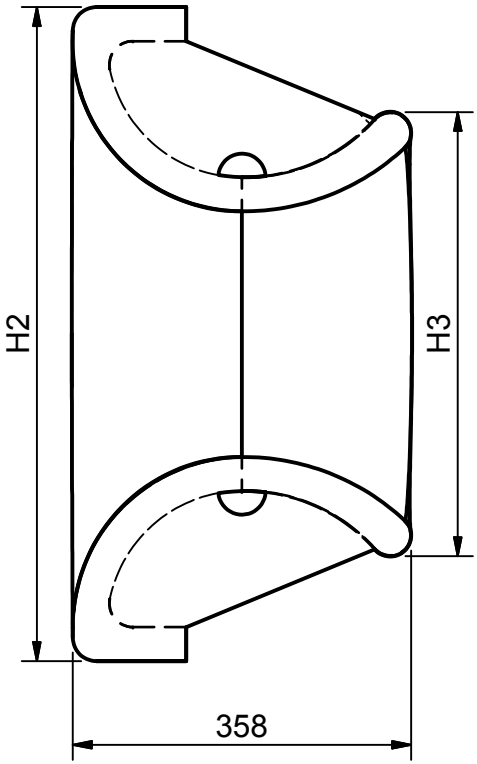
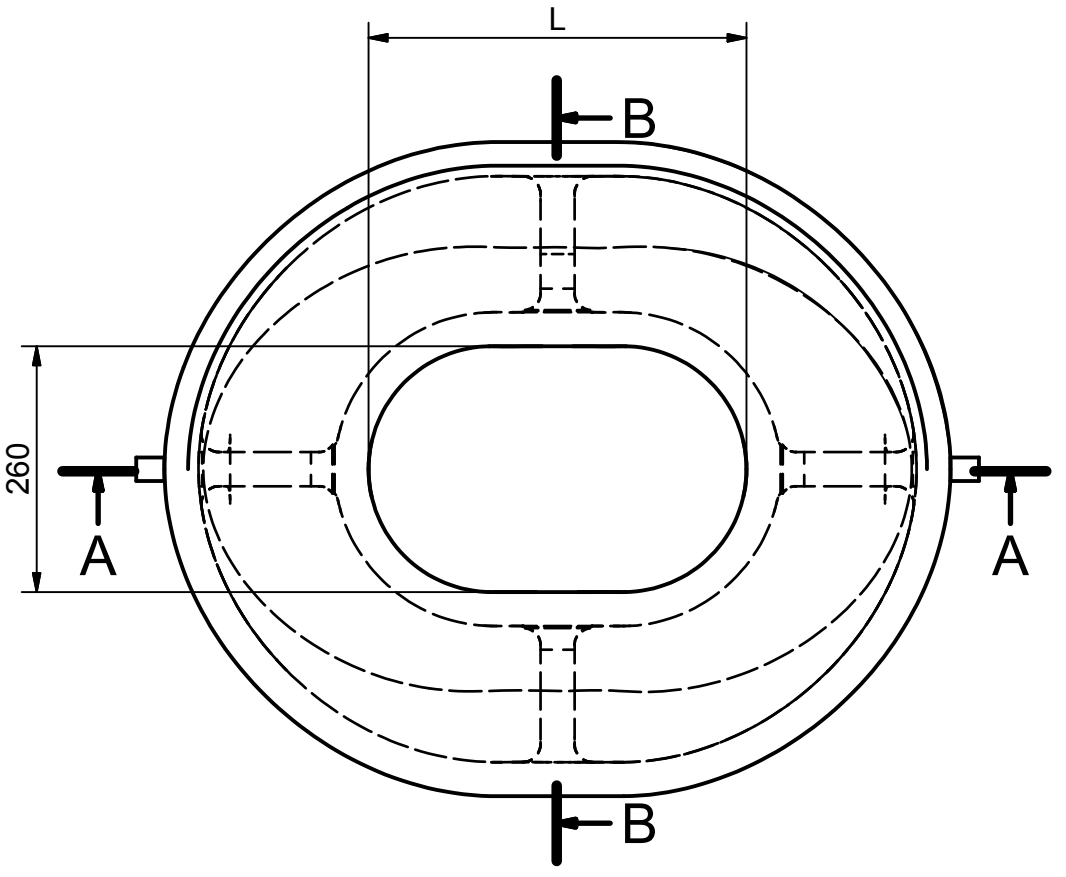
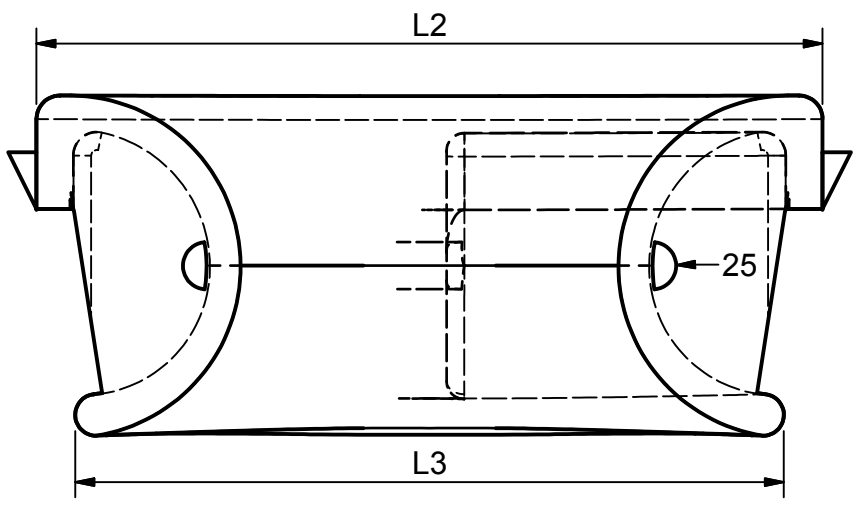


REV	DATE	DRAWN	CHECKED	REL No.	DESCRIPTION
2	29/04/2016	CE	AS	-	INITIAL ISSUE

Nominal Size	Dimensions (mm)					Mass (Kg)
	L	L2	L3	H2	H3	
310	310	734	652	684	462	476
360	360	788	704	688	464	305
400	400	832	750	692	470	344
450	450	886	802	696	474	385
500	500	940	854	700	478	422



UNLESS OTHERWISE SPECIFIED
DIMENSIONS ARE IN MM

FRACT	DECIMALS	ANGLES
$\frac{1}{32}$	X, .X, .XX	$\pm 2^\circ$
	$\pm 2, \pm 40, \pm 0.10$	

COPYRIGHT FENDERCARE LIMITED
DIMENSIONS AND TOLERANCES PER ISO 8015:2011
REMOVE BURRS AND SHARP EDGES
ALL DIMS IN MILLIMETRES UNLESS OTHERWISE STATED
DO NOT SCALE DRAWING DO NOT PASS TO A THIRD PARTY

THIS DRAWING MAY CALL FOR THE USE OF PROCEDURES THAT MAY BE INJURIOUS TO HEALTH IF ADEQUATE PRECAUTIONS ARE NOT TAKEN. IT REFERS ONLY TO TECHNICAL SUITABILITY AND DOES NOT ABSOLVE THE USER FROM LEGAL OBLIGATIONS RELATING TO HEALTH AND SAFETY AT ANY STAGE

fendercare
marine

ENTERPRISE HOUSE HARVEYS LANE
SEETHING NORFOLK NR15 1EN ENGLAND
TEL +441508 483705 FAX +441508 482710
EMAIL: sales@fendercare.com

MATERIAL:	JIS G 5101 SC 42 OR EQUIVALENT		
FINISH:	BLAST TO Sa2.5 & PAINT WITH SUITABLE PRIMER		
ESTIMATED MASS:	SEE TABLE		
DRAWN:	CE	SCALE:	NTS
CHECKED:	AS	DATE:	29/04/2016

TITLE:
JIS F 2017, TYPE BC, ALL SIZES,
BULWARK CHOCK - 4 RIB -
SALES DRAWING

SHEET:	DRAWING No:		
1 OF 1	31838	Issue: 2	A3

