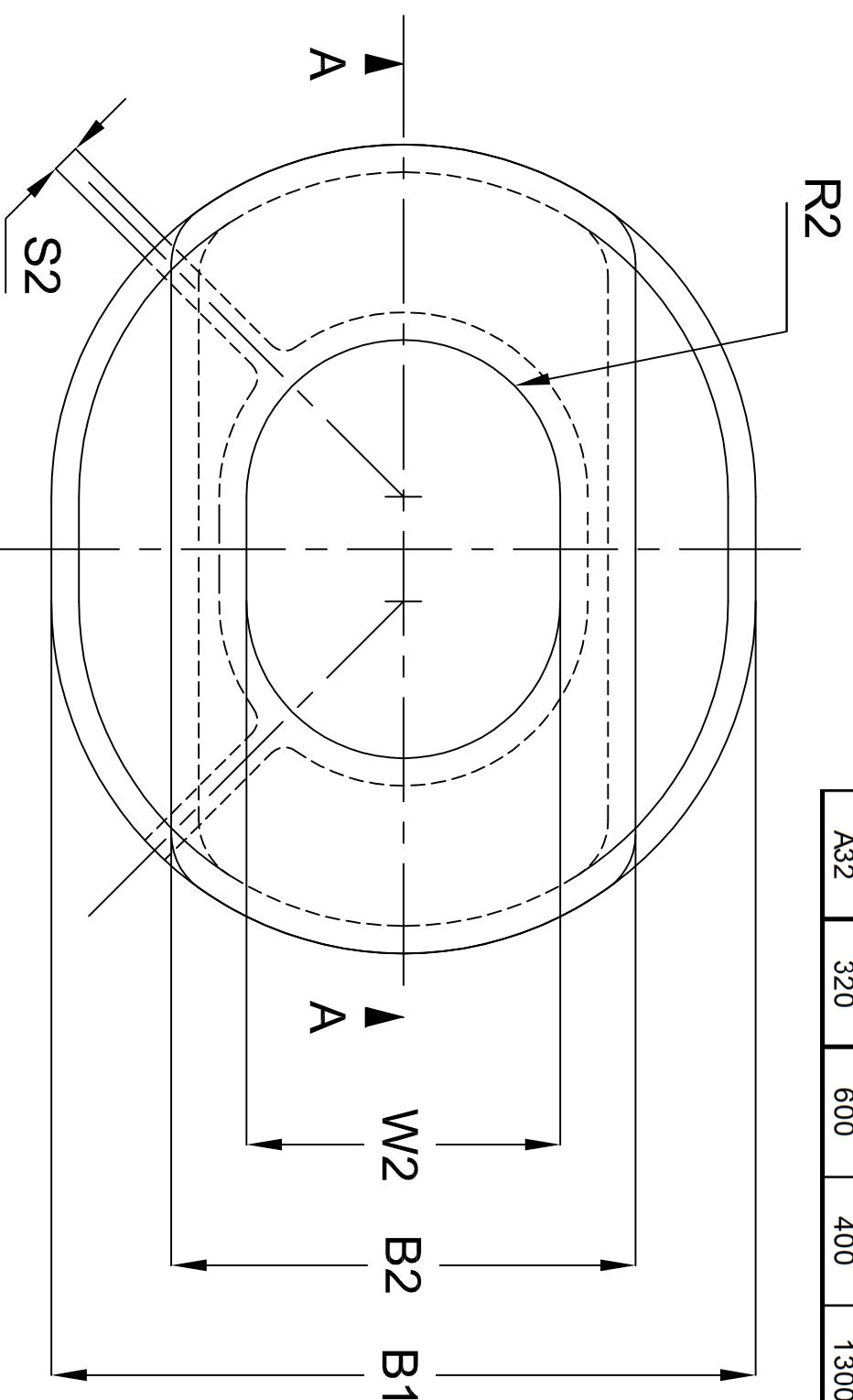


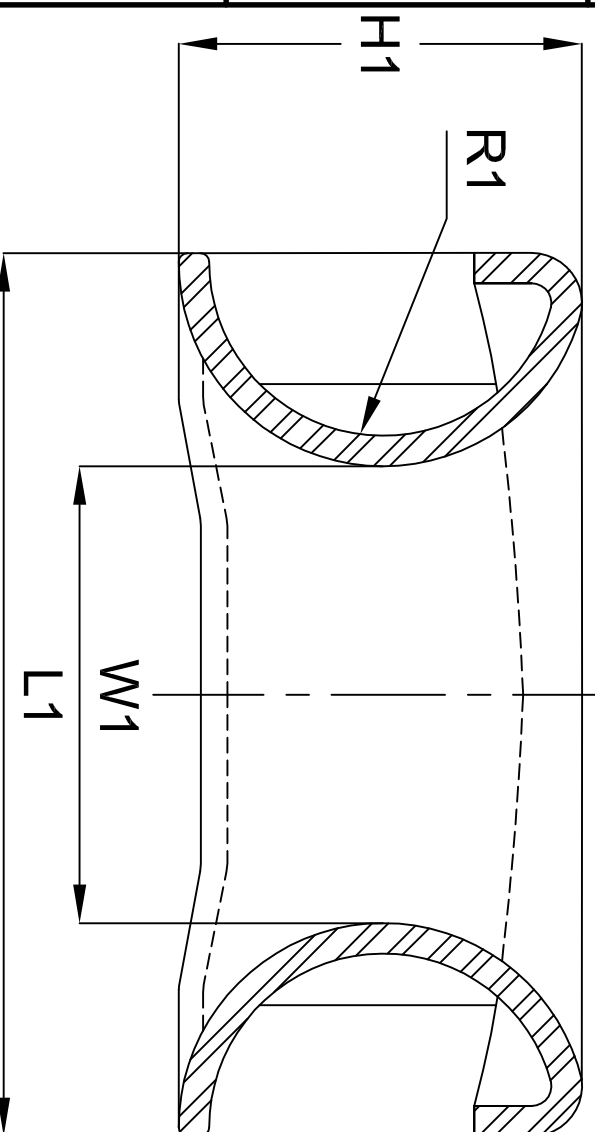
REV	DATE	DRAWN	CHECK	REL No.	DESCRIPTION
2	07/05/2013	KMD	DP	-	SECTION A-A CORRECTED

Type	KN	W1	W2	L1	B1	R1	R2	S2	H1	B2
A3	30	200	140	450	390	R 125	R 70	7	250	275
A5	50	250	180	550	480	R 150	R 90	8	300	340
A8	80	320	225	680	585	R 180	R 112.4	9	360	415
A12	120	400	270	840	710	R 220	R 135	10	440	500
A20	200	500	320	1020	840	R 260	R 160	11	520	595
A32	320	600	400	1300	1100	R 350	R 200	20	700	800



NOTE  
DIMENSIONS ARE FOR REFERENCE  
ONLY - ITEM TO BE MANUFACTURED TO  
STANDARD

SECTION A - A



UNLESS OTHERWISE SPECIFIED  
DIMENSIONS ARE IN MM

FRACT	X.	X	.XX	ANGLES
$\frac{1}{2}$	±2	±40	±0.10	±2°

COPYRIGHT FENDERCARE LIMITED  
DIMENSIONS AND TOLERANCES PER ISO 8015:2011  
REMOVE BURRS AND SHARP EDGES  
ALL DIMS IN MILLIMETRES UNLESS OTHERWISE STATED  
DO NOT SCALE DRAWING. DO NOT PASS TO A THIRD PARTY

THIS DRAWING MAY CALL FOR THE USE OF PROCEDURES THAT MAY BE INJURIOUS TO HEALTH IF ADEQUATE PRECAUTIONS ARE NOT TAKEN. IT REFERS ONLY TO TECHNICAL SUITABILITY AND DOES NOT ABSOLVE THE USER FROM LEGAL OBLIGATIONS RELATING TO HEALTH AND SAFETY AT ANY STAGE



ENTERPRISE HOUSE HARVEYS LANE  
SEETHING NORFOLK NR15 1EN ENGLAND  
TEL +441508 483705 FAX +441508 482710  
EMAIL: sales@fendercare.com

MATERIAL:	AS PER STANDARD		
FINISH:	N/A		
ESTIMATED MASS:	N/A		
DRAWN:	DP	SCALE:	NTS
CHECKED:	KTR	DATE:	13/01/10

TITLE:  
CHOCK BOW MOUNTED TO  
DIN STANDARD 81915

SHEET:	DRAWING No:	
1 OF 1	30222	Issue: 2
		A3

