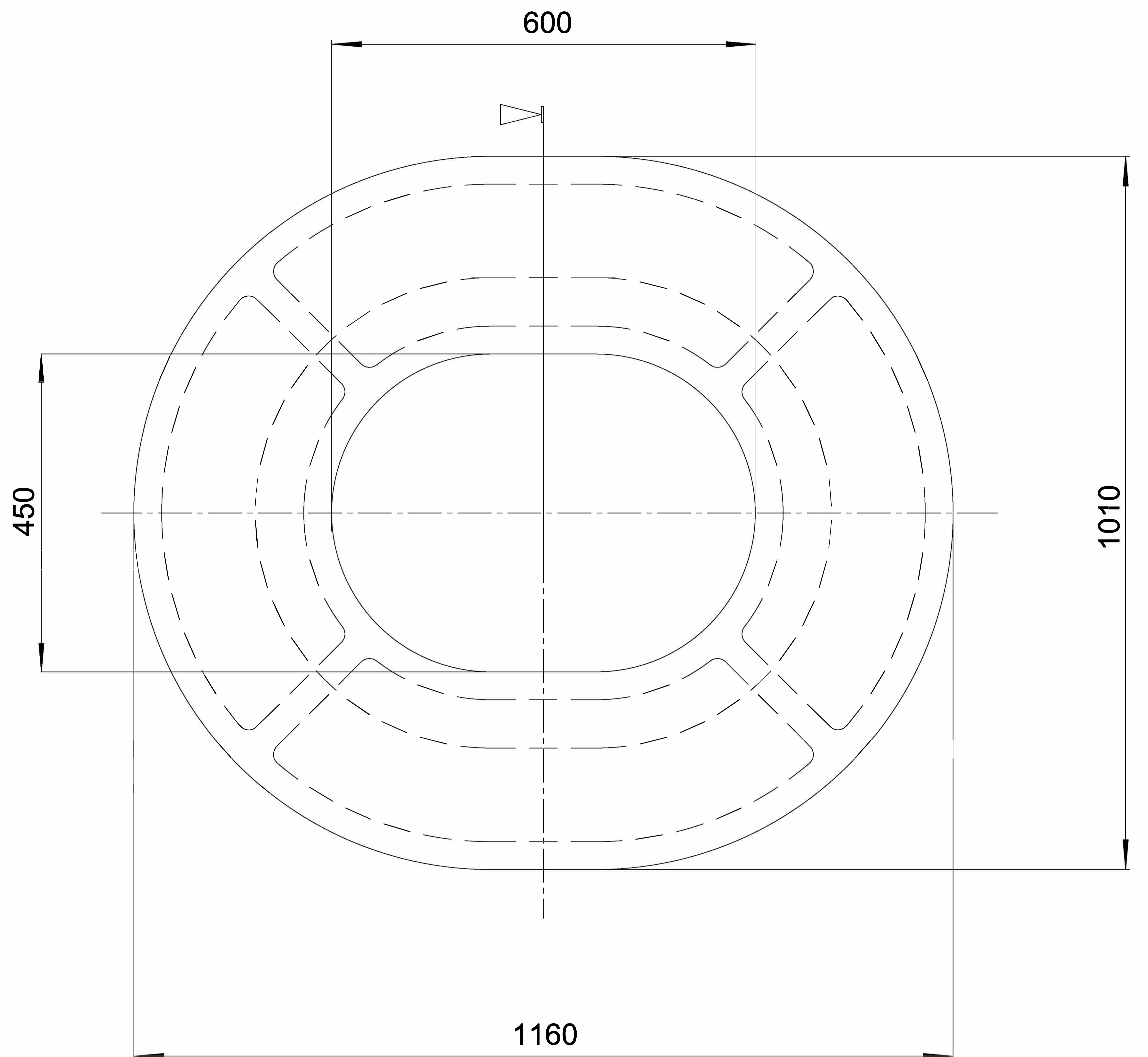
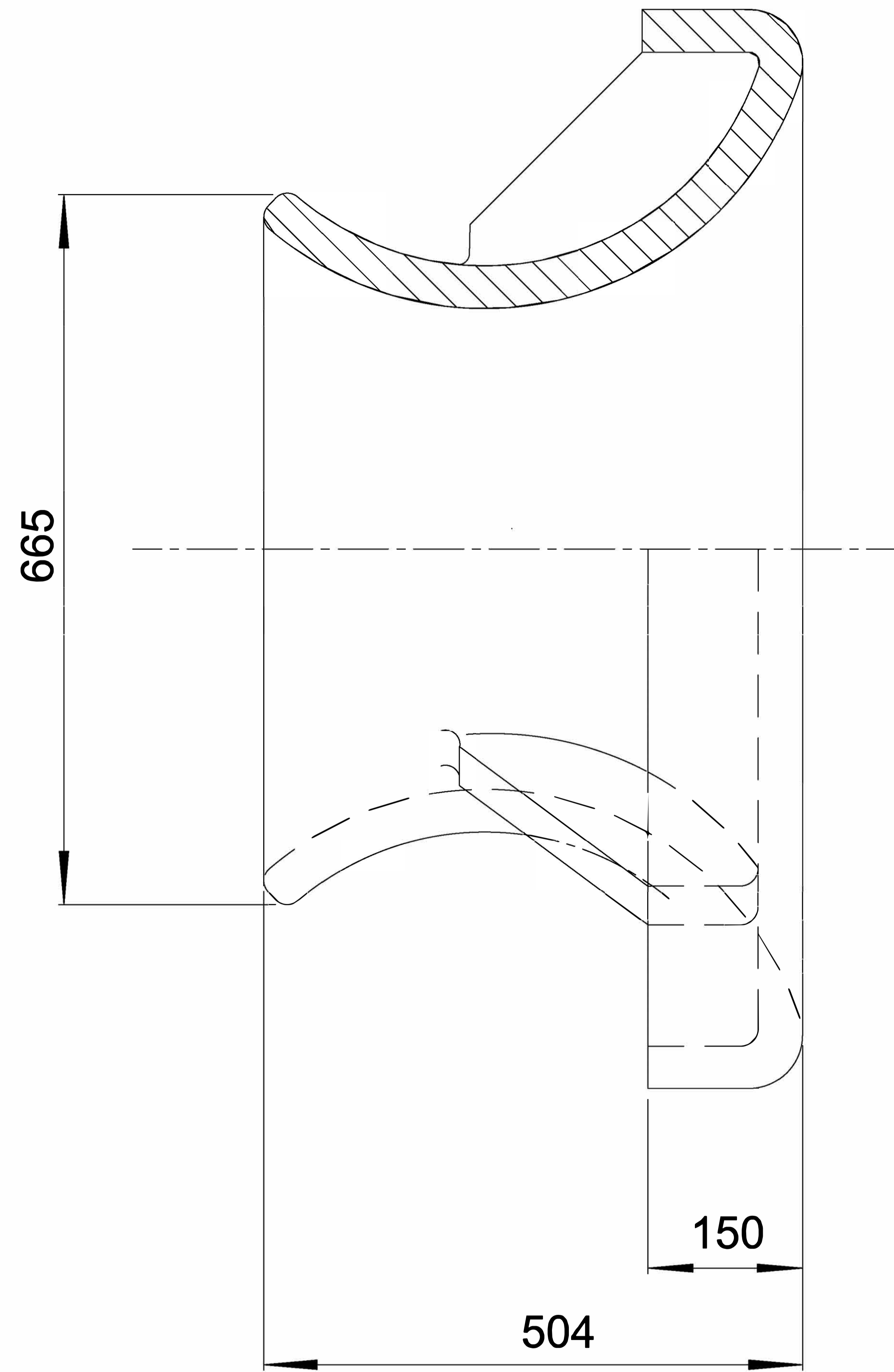


IF IN DOUBT ASK. DO NOT SCALE THIS DRAWING.

| ISS | DATE | DRAWN | CHECKED | Rel. No. | DETAILS OF CHANGE |
|-----|----------|--------|---------|----------|-------------------|
| 1 | 10-02-11 | K.T.R. | K.M.D. | RN00128 | INITIAL ISSUE |

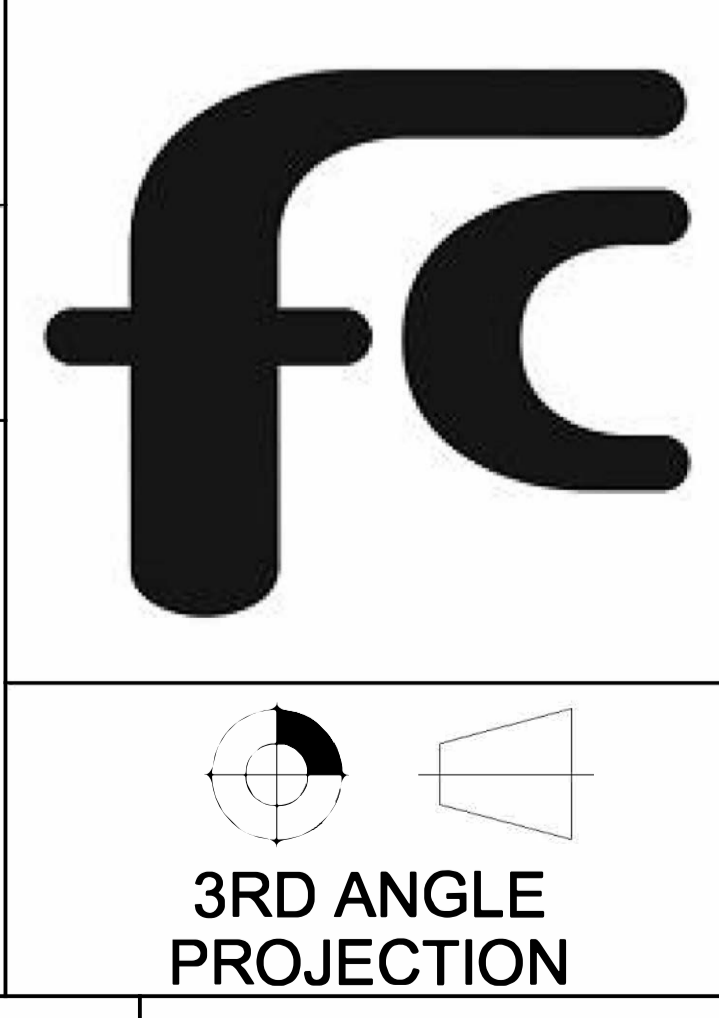


fendercare
marine

ENTERPRISE HOUSE HARVEYS LANE
SEETHING NORFOLK NR15 1EN ENGLAND
TEL +441508 483705 FAX +441508 482710
EMAIL: sales@fendercare.com

MATERIAL : N.A.
FINISH : N.A.

THIS DRAWING MAY CALL FOR THE USE OF PROCEDURES THAT MAY BE INJURIOUS TO HEALTH IF ADEQUATE PRECAUTIONS ARE NOT TAKEN. IT REFERS ONLY TO TECHNICAL SUITABILITY AND DOES NOT ABSOLVE THE USER FROM LEGAL OBLIGATIONS RELATING TO HEALTH AND SAFETY AT ANY STAGE



SCALE : N.T.S.
DATE : 10-08-11
CREATED BY : K.T.R.
CHECKED BY : K.M.D.

REMOVE BURRS AND SHARP EDGES.

ALL DIMS IN MILLIMETRES UNLESS OTHERWISE STATED

102T S.W.L. PANAMA CHOCK
TYPE APPROVED

SHEET: 1 OF 1 DRAWING No: 48630 Issue: 1

COPYRIGHT FENDERCARE LIMITED DO NOT PASS TO A THIRD PARTY