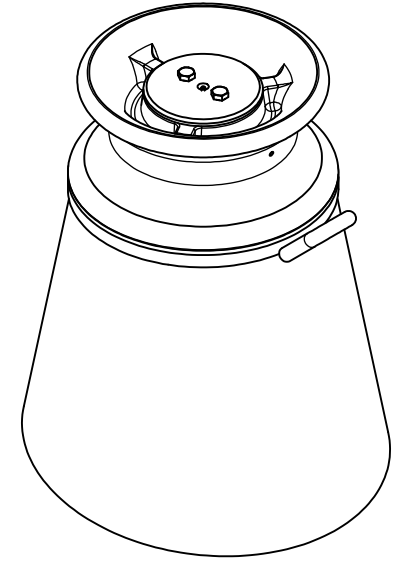
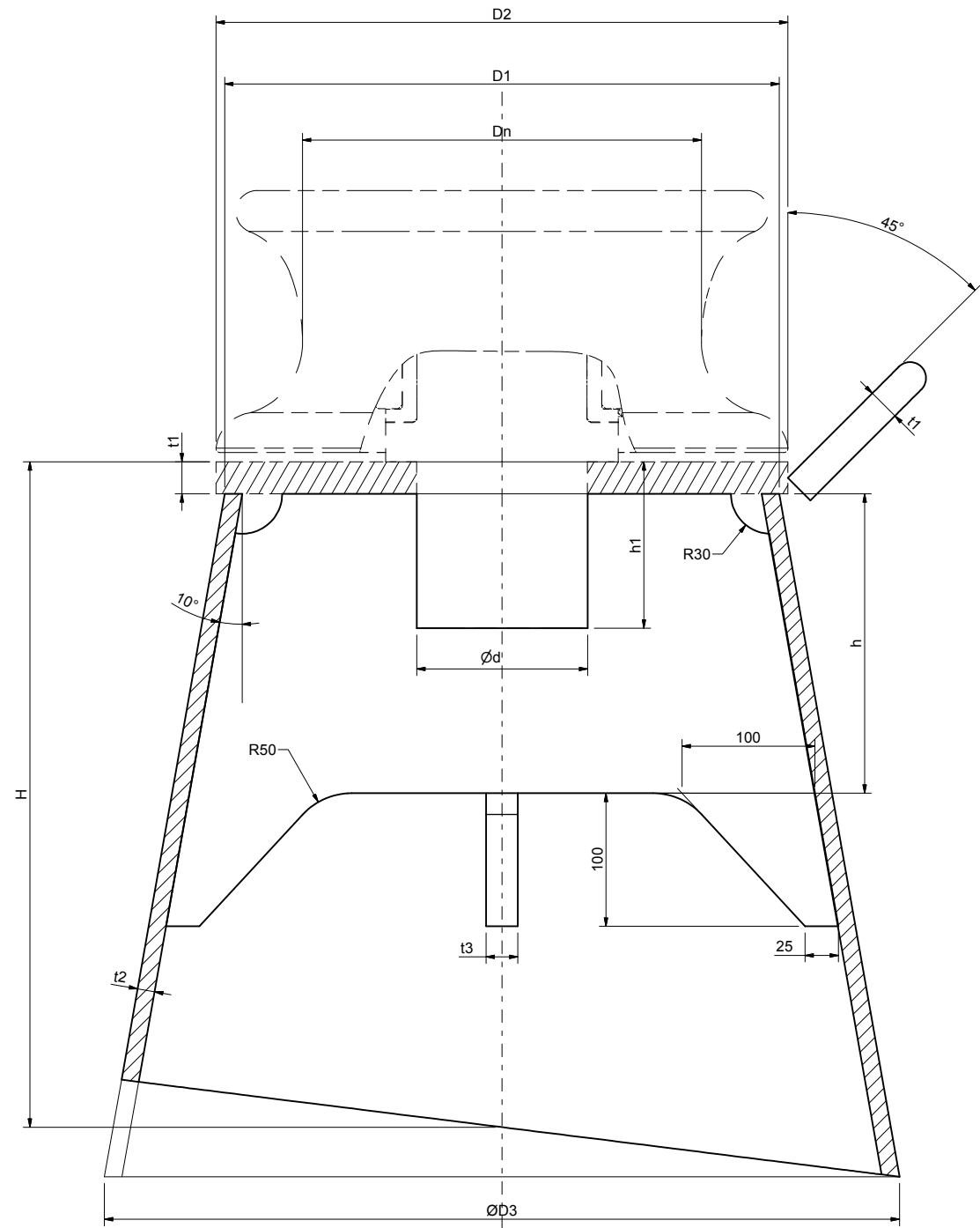


13	14	15	16
REV	DATE	DESIGNER	CHECKED
1	15/06/2015	CPT	CE
		REL N	DESCRIPTION
		-	INITIAL ISSUE

Nominal size Dn	D1	D2	d		h	h1	t1	t2	t3	Welding leg length	
			Type A and B	Type C						z1	z2
150	220	230	71,5	81,5	200	100	16	10	16	8	5
200	288	300	93,5	102,5	200	100	20	12	20	10	6
250	357	370	113,5	119,5	200	100	22	12,5	22	11	6
300	417	430	128,5	130,5	225	125	24	13	24	12	6,5
350	472	490	145,5	152,5	225	125	26	17	26	15	8,5
400	540	560	154,5	164,5	250	150	28	18	28	17	9
450	600	620	167,5	179,5	250	150	30	20	30	20	10
500	655	680	178,5	195,5	250	150	32	22	34	23	11
Nominal size Dn	SWL				Calculated weight (kg) (for reference only)						
	$\theta = 90^\circ$		$\theta = 0^\circ$		H=500		H=1000		H=1500		
	(KN)	(t)	(KN)	(t)							
150	265	27	186	19	55		115		198		
200	441	45	314	32	86		169		278		
250	579	59	412	42	113		210		335		
300	726	74	510	52	145		256		395		
350	1040	106	736	75	201		358		552		
400	1246	127	883	90	255		436		657		
450	1599	163	1128	115	314		530		791		
500	1942	198	1373	140	383		636		938		



ISOMETRIC VIEW
NOT TO SCALE



UNLESS OTHERWISE SPECIFIED
DIMENSIONS ARE IN MM

FRACT	DECIMALS			ANGLES
$\frac{1}{2}$	X	X	XX	$\pm 2^\circ$
	± 2	± 40	± 0.10	

COPYRIGHT FENDERCARE LIMITED
DIMENSIONS AND TOLERANCES PER ISO 8015:2011
REMOVE BURRS AND SHARP EDGES
ALL DIMS IN MILLIMETRES UNLESS OTHERWISE STATED
DO NOT SCALE DRAWING. DO NOT PASS TO A THIRD PARTY

THIS DRAWING MAY CALL FOR THE USE OF PROCEDURES THAT MAY BE INJURIOUS TO HEALTH IF ADEQUATE PRECAUTIONS ARE NOT TAKEN. IT REFERS ONLY TO TECHNICAL SUITABILITY AND DOES NOT ABSOLVE THE USER FROM LEGAL OBLIGATIONS RELATING TO HEALTH AND SAFETY AT ANY STAGE

FENDERCARE
marine

ENTERPRISE HOUSE HARVEYS LANE
SEETHING NORFOLK NR15 1EN ENGLAND
TEL +441508 483705 FAX +441508 482710
EMAIL: sales@fendercare.com

MATERIAL:	N/A		
FINISH:	NATURAL		
ESTIMATED MASS:	N/A		
DRAWN:	CPT	SCALE:	NTS
CHECKED:	CE	DATE:	15/06/2015

TITLE:
ISO 13776 - VARIOUS SIZES,
PEDESTAL ROLLER - SALES
DRAWING

SHEET: DRAWING No:
1 OF 1 42310 Issue: 1 A1

3RD ANGLE PROJECTION