

A3 1 2 3 4 5 6 7 8

ISS	DATE	DRAWN	CHECKED	Rel. No.	DETAILS OF CHANGE
1	22/01/16	JS	CE	-	INITIAL ISSUE FROM 40619

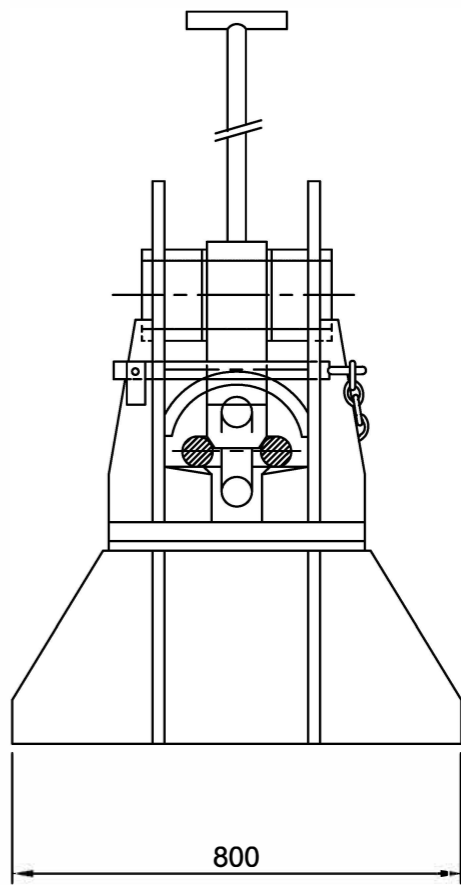
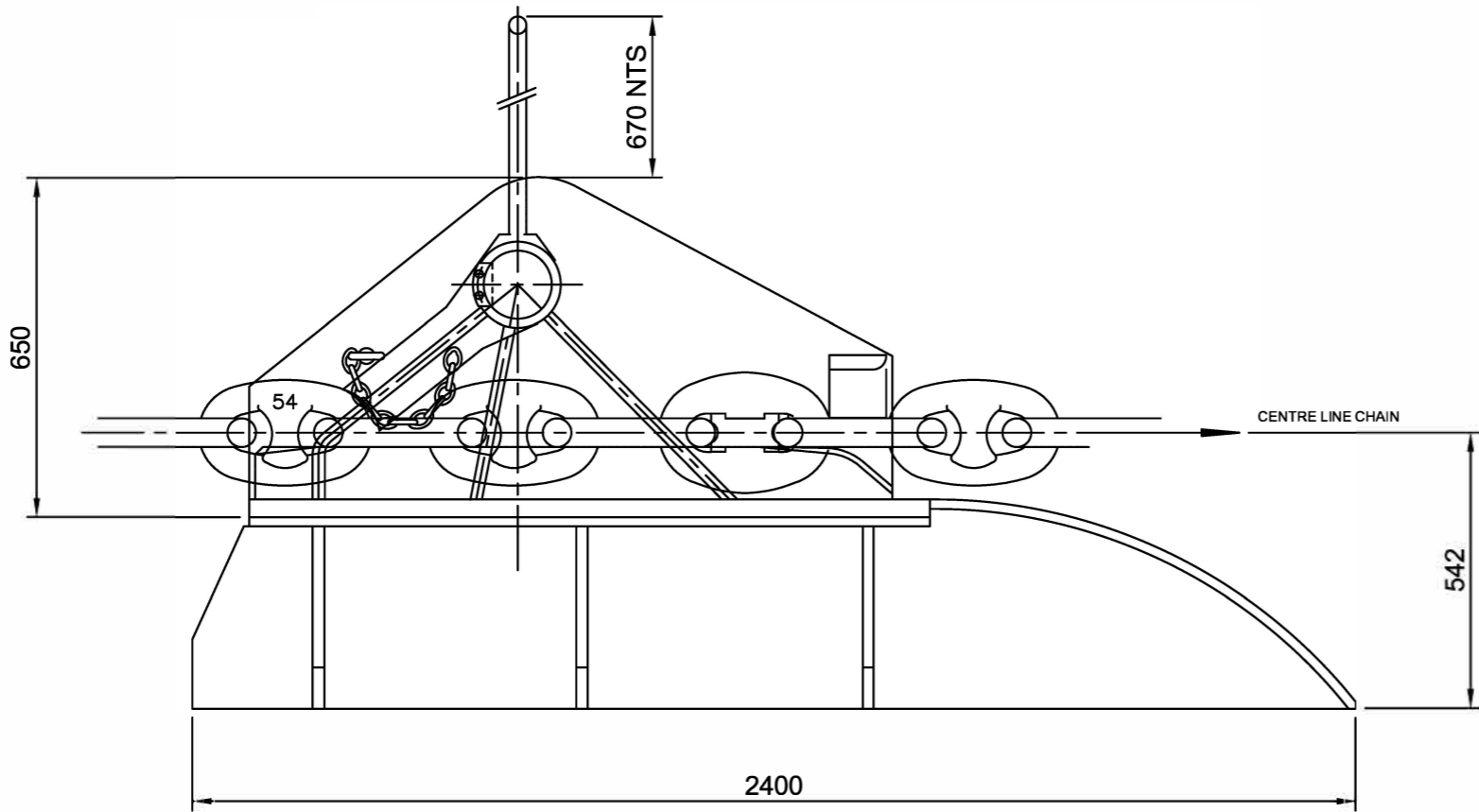
A

B

C

D

E



A

B

C

D

E

NOTE:
THIS DRAWING SUPERCEDES A3-2422, A3-1607

NOTES:
TO BE USED WITH 54mm CHAIN

<p>fendercare marine</p> <p>ENTERPRISE HOUSE HARVEYS LANE SEETHING NORFOLK NR15 1EN ENGLAND TEL +44 1508 482691 FAX +44 1508 482710 EMAIL: sales@fendercare.com</p>	MATERIAL	N.A.		SCALE	N.T.S	ALL DIMS IN MILLIMETRES UNLESS OTHERWISE STATED		
	FINISH	N.A.		DATE	22/01/16	102T S.W.L CHAIN STOPPER AND PLINTH ARRANGEMENT - SALES DRAWING		
	<p>THIS DRAWING MAY CALL FOR THE USE OF PROCEDURES THAT MAY BE INJURIOUS TO HEALTH IF ADEQUATE PRECAUTIONS ARE NOT TAKEN. IT REFERS ONLY TO TECHNICAL SUITABILITY AND DOES NOT ABSOLVE THE USER FROM LEGAL OBLIGATIONS RELATING TO HEALTH AND SAFETY AT ANY STAGE</p>			DRAWN BY	JS	SHEET	DRAWING No	
				CHECKED BY	CE	1 OF 1	47780	Issue: 1
				<p>REMOVE BURRS AND SHARP EDGES.</p>		<p>COPYRIGHT FENDERCARE LIMITED DO NOT PASS TO A THIRD PARTY</p>		
			<p>3RD ANGLE PROJECTION</p>					

F

F

1 2 3 4 5 6 7 8