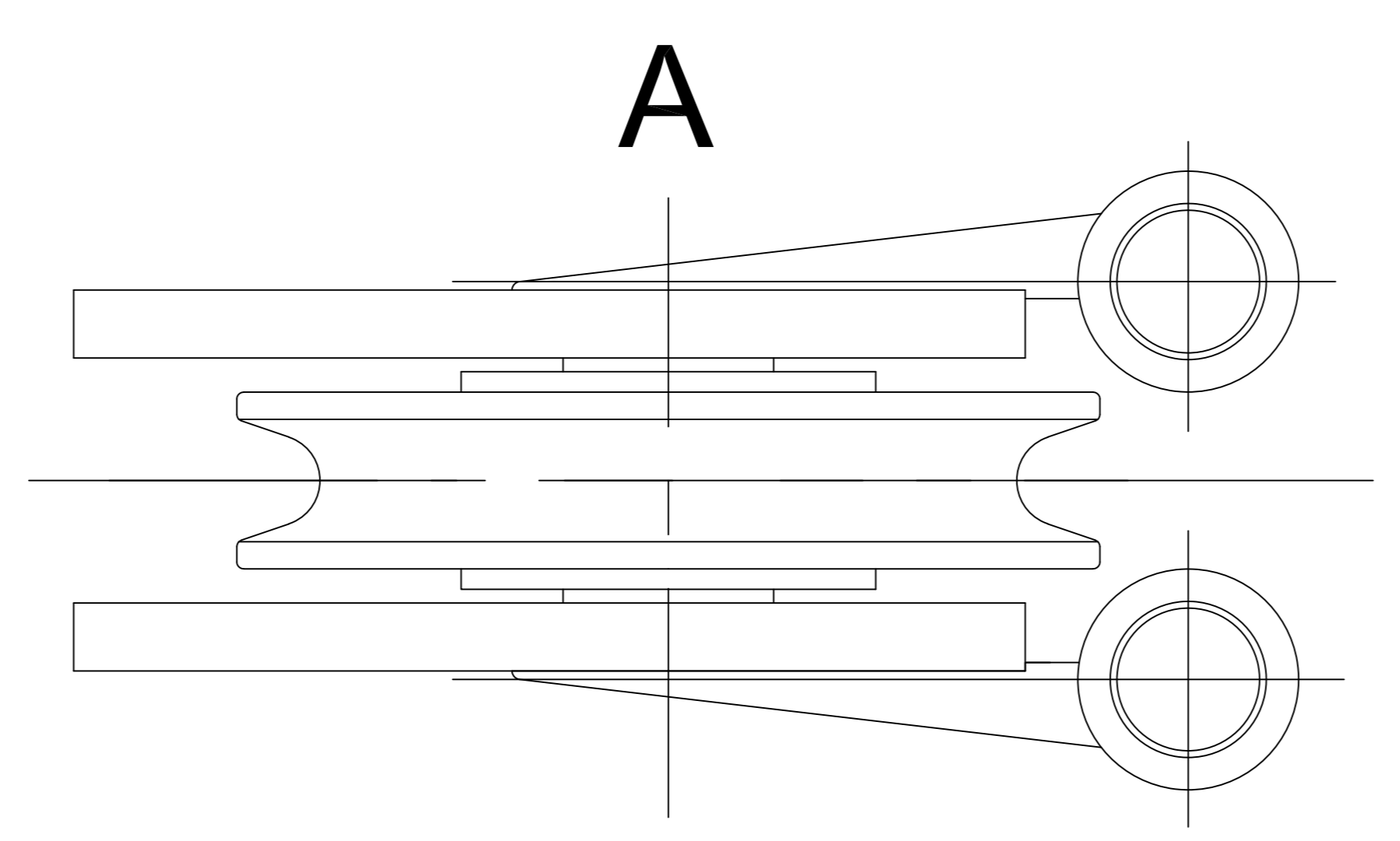
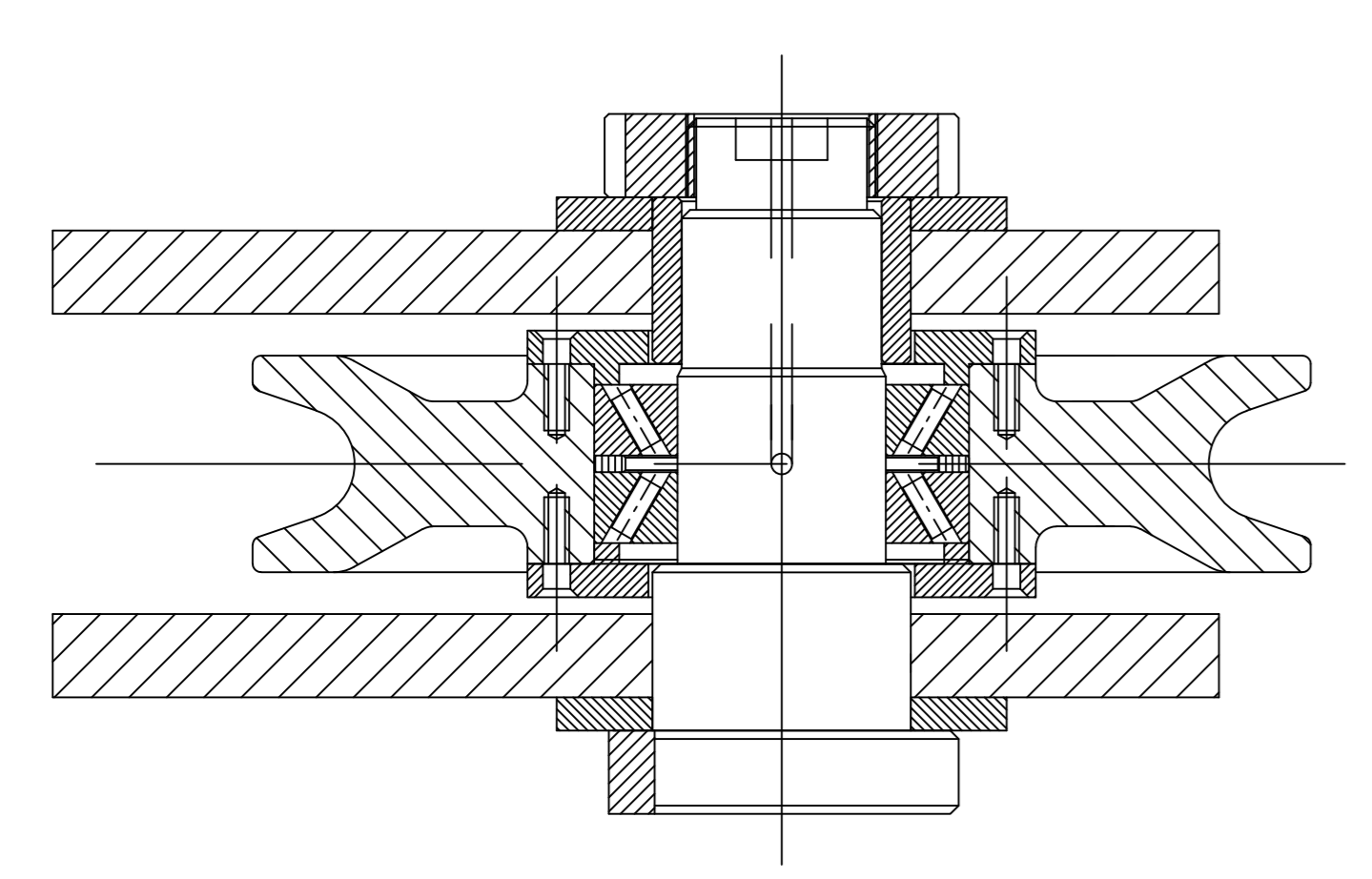
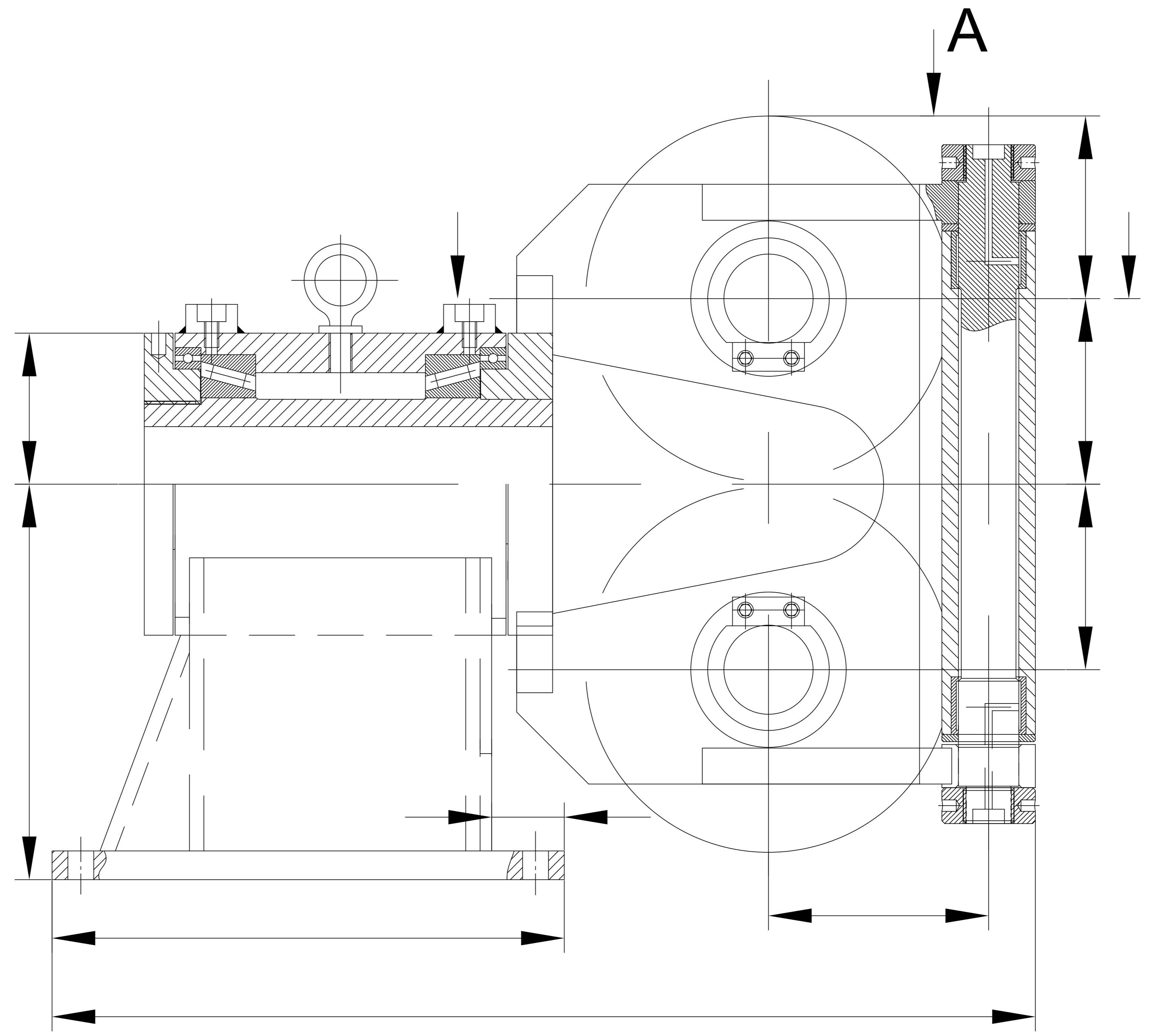
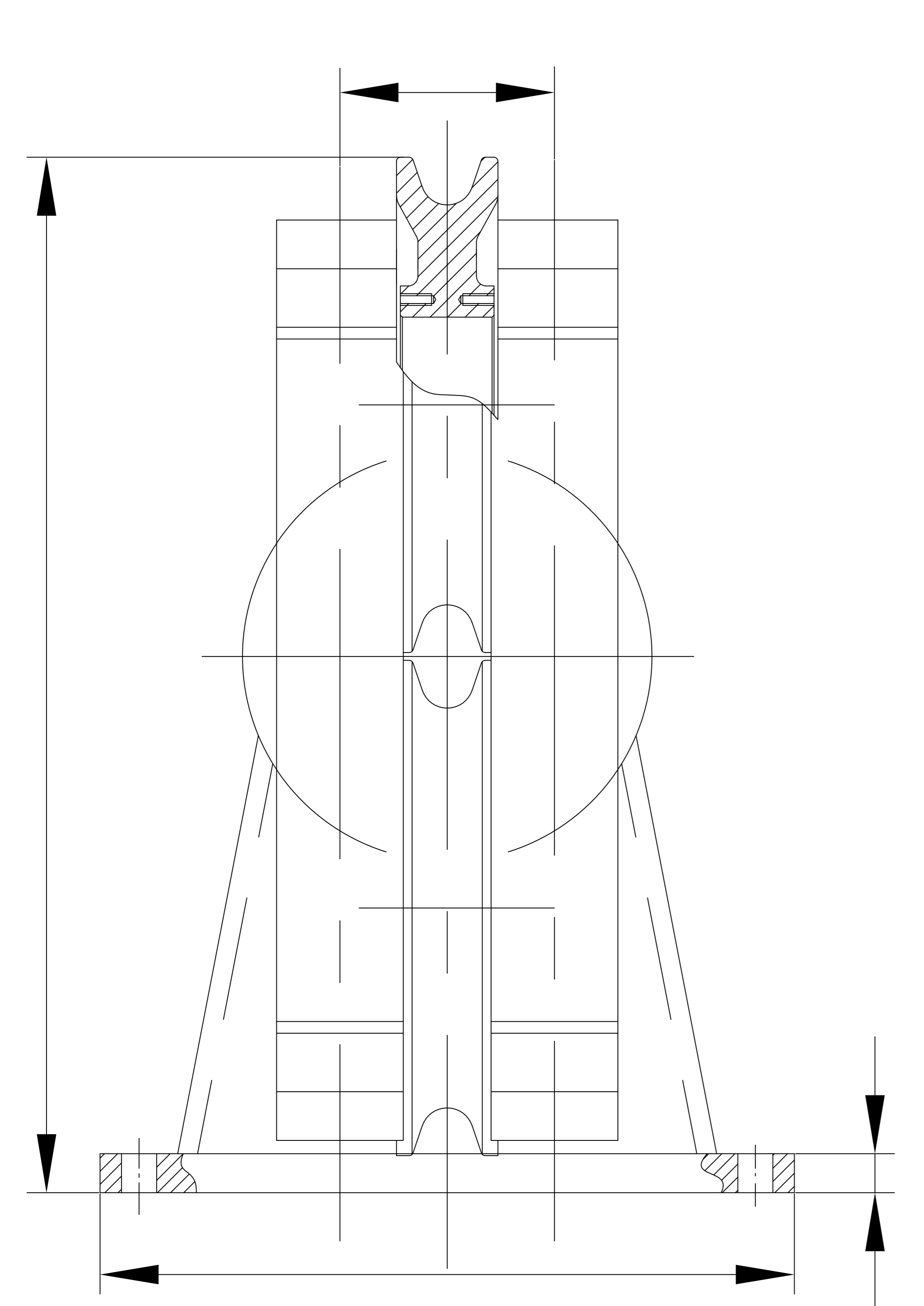


REV	DATE	DRAWN	CHECK	REL No.	DESCRIPTION
1	27/04/2017	HM	AS	-	INITIAL ISSUE



UNLESS OTHERWISE SPECIFIED
DIMENSIONS ARE IN MM

FRACT	DECIMALS			ANGLES
$\frac{1}{32}$	X. ±2	.X ±.40	.XX ±0.10	±.2°

COPYRIGHT FENDERCARE LIMITED
DIMENSIONS AND TOLERANCES PER ISO 8015:2011
REMOVE BURRS AND SHARP EDGES
ALL DIMS IN MILLIMETRES UNLESS OTHERWISE STATED
DO NOT SCALE DRAWING DO NOT PASS TO A THIRD PARTY

THIS DRAWING MAY CALL FOR THE USE OF PROCEDURES THAT MAY BE INJURIOUS TO HEALTH IF ADEQUATE PRECAUTIONS ARE NOT TAKEN. IT REFERS ONLY TO TECHNICAL SUITABILITY AND DOES NOT ABSOLVE THE USER FROM LEGAL OBLIGATIONS RELATING TO HEALTH AND SAFETY AT ANY STAGE

fendercare
marine

ENTERPRISE HOUSE HARVEYS LANE
SEETHING NORFOLK NR15 1EN ENGLAND
TEL +441508 483705 FAX +441508 482710
EMAIL: sales@fendercare.com

MATERIAL:	N/A		
FINISH:	N/A		
ESTIMATED MASS:	N/A		
DRAWN:	HM	SCALE:	NTS
CHECKED:	AS	DATE:	27/04/2017

TITLE:
26MM ANCHOR FAIRLEADER - SALES DRAWING

SHEET:	DRAWING No:		
1 OF 1	65481	Issue: 1	A3

