

IF IN DOUBT ASK. DO NOT SCALE THIS DRAWING.

ISS	DATE	DRAWN	CHECKED	Rel. No.	DETAILS OF CHANGE
1	28/01/16	JS	CE	-	INITIAL ISSUE FROM 40670

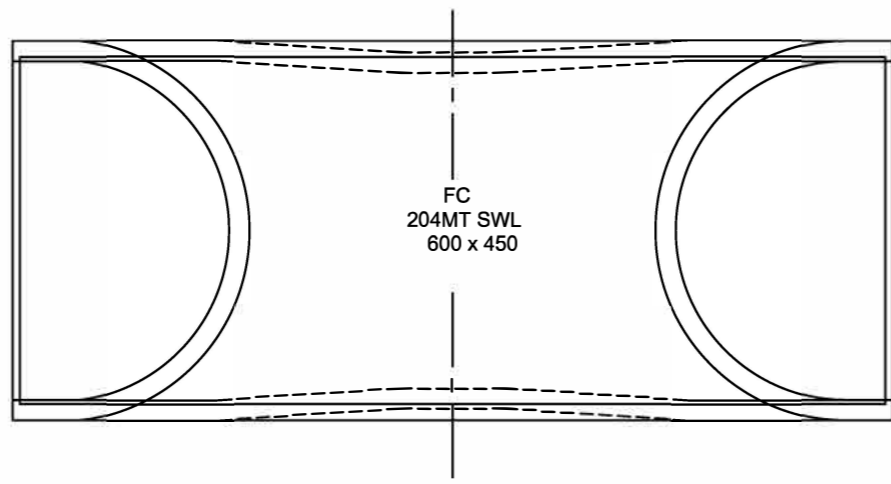
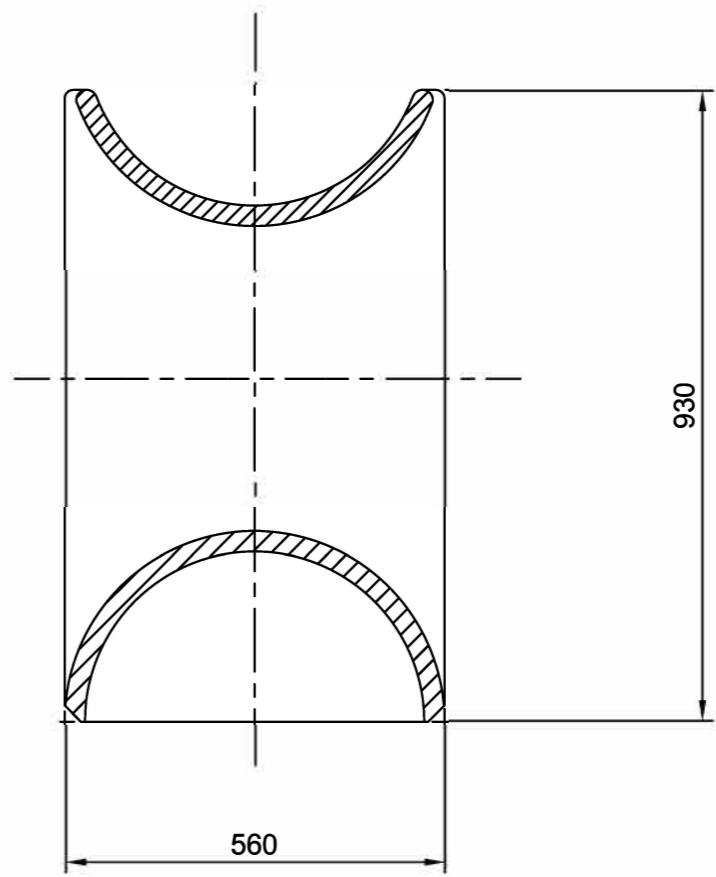
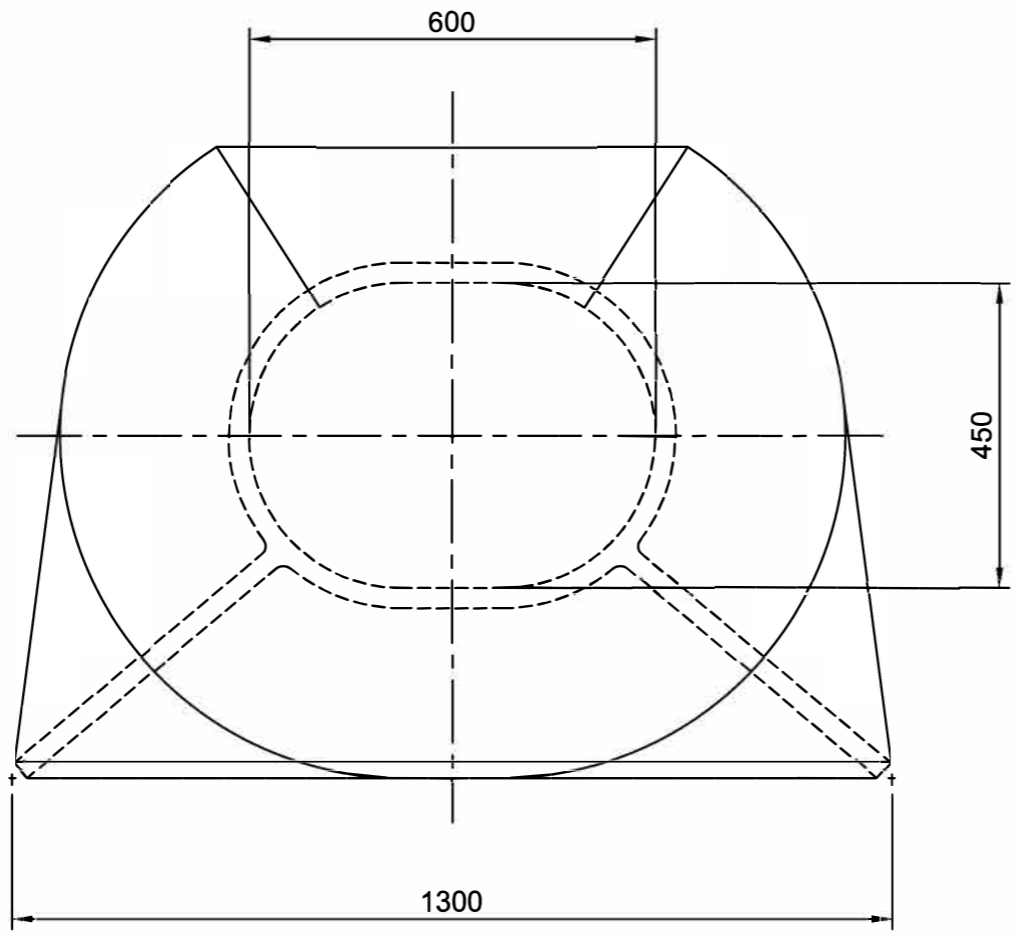
A

B

C

D

E



A

B

C

D

E

F

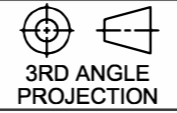


ENTERPRISE HOUSE HARVEYS LANE
SEETHING NORFOLK NR15 1EN ENGLAND
TEL +44 1508 482691 FAX +44 1508 482710
EMAIL: sales@fendercare.com

MATERIAL SEE DRAWING

FINISH SEE DRAWING

THIS DRAWING MAY CALL FOR THE USE OF PROCEDURES THAT MAY BE INJURIOUS TO HEALTH IF ADEQUATE PRECAUTIONS ARE NOT TAKEN. IT REFERS ONLY TO TECHNICAL SUITABILITY AND DOES NOT ABSOLVE THE USER FROM LEGAL OBLIGATIONS RELATING TO HEALTH AND SAFETY AT ANY STAGE



SCALE	N.T.S
DATE	28/01/16
DRAWN BY	JS
CHECKED BY	CE

REMOVE BURRS AND SHARP EDGES.

ALL DIMS IN MILLIMETRES UNLESS OTHERWISE STATED	
204MT S.W.L. PANAMA CHOCK DECK MOUNTED DDM 600 x 450 - SALES DRAWING	
SHEET	DRAWING No
1 OF 1	47838 Issue: 1
COPYRIGHT FENDERCARE LIMITED DO NOT PASS TO A THIRD PARTY	

F