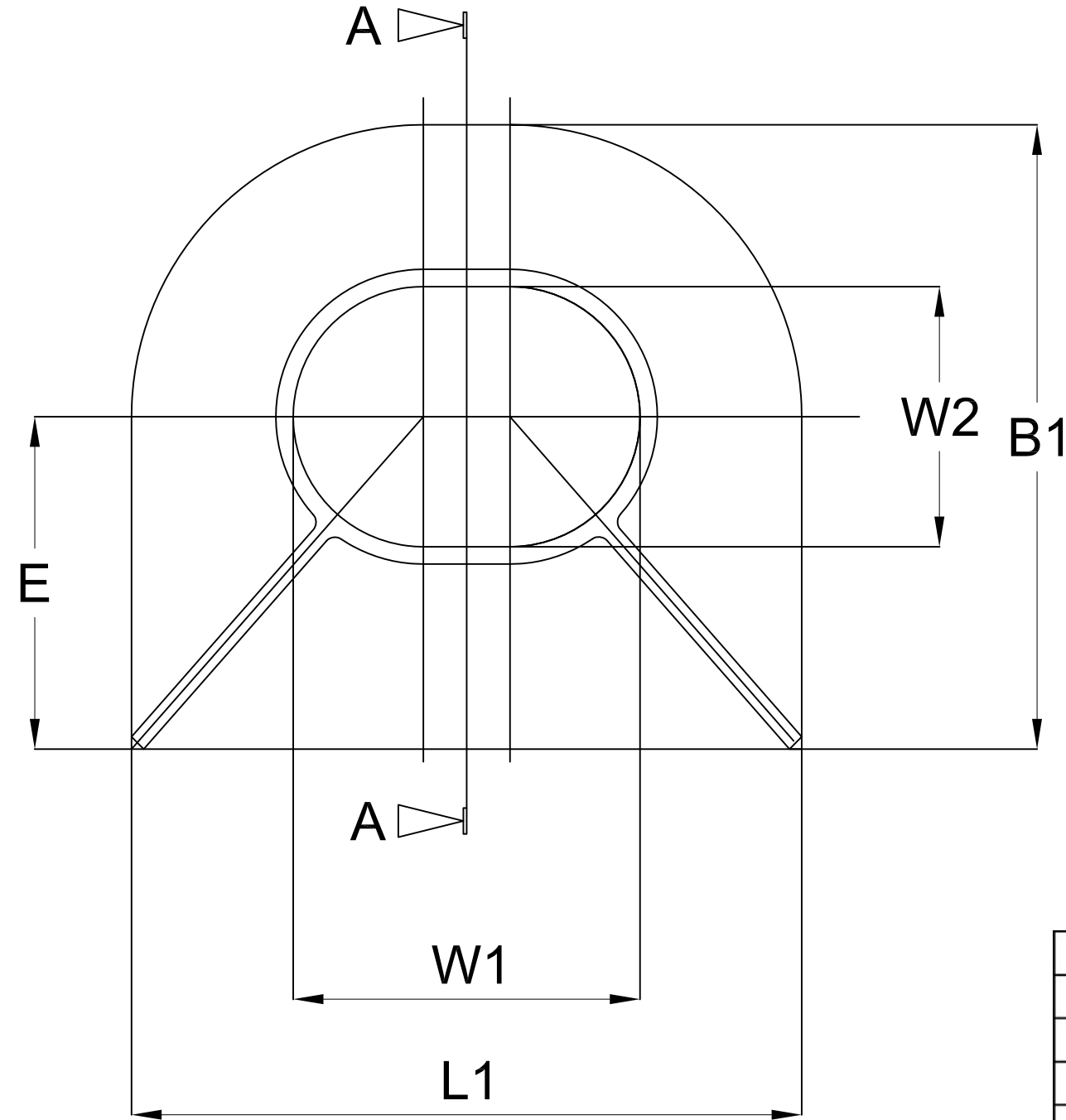
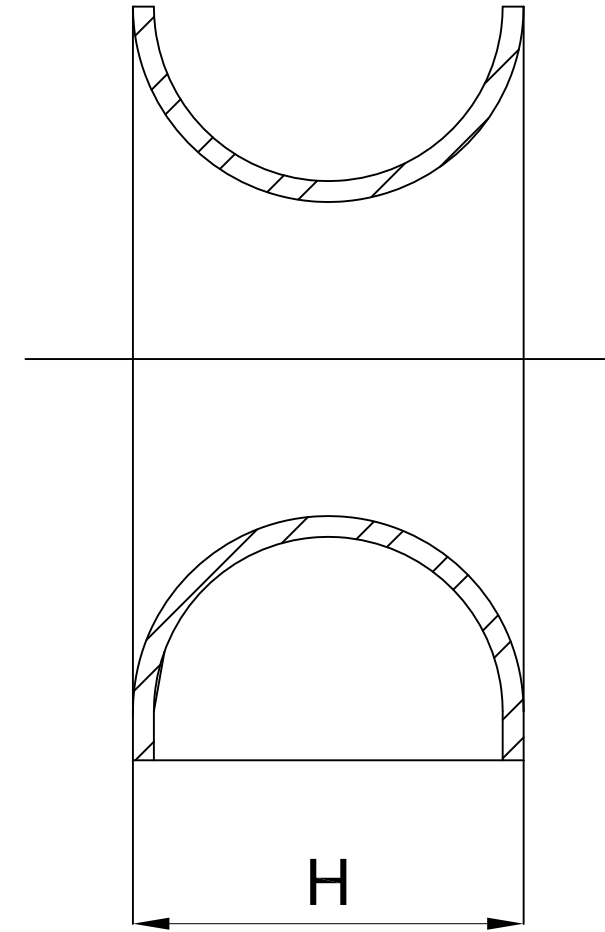


ISS	DATE	DRAWN	CHECKED	Rel. No.	DETAILS OF CHANGE
1	13-01-10	DP	KTR	-	INITIAL ISSUE
2	15/07/15	CE	-	-	WEIGHT ADDED TO TABLE

IF IN DOUBT ASK. DO NOT SCALE THIS DRAWING.



SECTION A - A



Type	kN	W1	W2	L1	B1	E	Kg
C3	30	200	140	450	390	195	48
C5	50	250	180	550	480	240	85
C18	80	320	225	680	585	292.5	136
C12	120	400	270	840	710	355	211
C20	200	500	320	1020	840	420	325
C32	320	600	400	1300	1100	550	840

fendercare
marine

ENTERPRISE HOUSE HARVEYS LANE
SEETHING NORFOLK NR15 1EN ENGLAND
TEL +441508 483705 FAX +441508 482710
EMAIL: sales@fendercare.com

MATERIAL : N.A.

FINISH : N.A.

THIS DRAWING MAY CALL FOR THE USE OF PROCEDURES THAT MAY BE INJURIOUS TO HEALTH IF ADEQUATE PRECAUTIONS ARE NOT TAKEN. IT REFERS ONLY TO TECHNICAL SUITABILITY AND DOES NOT ABSOLVE THE USER FROM LEGAL OBLIGATIONS RELATING TO HEALTH AND SAFETY AT ANY STAGE



SCALE : NTS
DATE : 13.01.10
CREATED BY : DP
CHECKED BY : KTR

REMOVE BURRS AND SHARP EDGES.

ALL DIMS IN MILLIMETRES UNLESS OTHERWISE STATED

CHOCK DECK MOUNTED TO
DIN STANDARD 81915

SHEET: 1 OF 1 DRAWING No: **48683** **Issue: 2**
COPYRIGHT FENDERCARE LIMITED DO NOT PASS TO A THIRD PARTY